



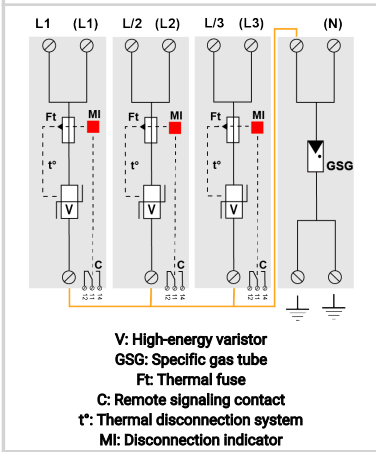
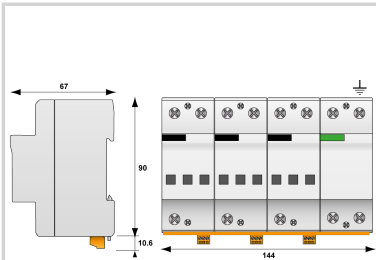
CITEL

Type 1+2 AC surge protector - 3-phase+N

DS254E-300/G



- Type 1 + 2 unipolar surge protector
- Iimp total: 100 kA on 10/350µs impulse
- Imax : 140 kA on 8/20µs impulse
- Internal disconnections, status indicators
- Remote signaling
- IEC 61643-11, EN 61643-11 and UL1449 ed.5 compliance



Electrical Characteristics		
SPD type	IEC	1+2
Network		230/400 V 3-phase+N
AC system		TT-TNS
Nominal line voltage	Un	230/400 Vac
Max. AC operating voltage	Uc	330 Vac
Max. load current if series connection	IL	100 A
Temporary Over Voltage (TOV) Characteristics - 5 sec. Without disconnection	UT	335 Vac withstand
Temporary Over Voltage (TOV) Characteristics - 120 mn Without disconnection or with safety disconnection	UT	440 Vac disconnection
Temporary Over Voltage N/PE (TOV HT) Without disconnection or with safety disconnection	UT	1200 V/300A/200 ms withstand
Residual Current Leakage current to Ground	Ipe	None
Follow current	If	None
Nominal discharge current 15 x 8/20 µs impulses	In	70 kA
Max. discharge current max. withstand @ 8/20 µs by pole	I _{max}	140 kA
Impulse current by pole max. withstand 10/350µs by pole	I _{imp}	25 kA
Total lightning current max. total withstand @ 10/350µs	I _{total}	100 kA
Specific energy by pole max. withstand 10/350 µs	W/R	156 kJ/ohm
Connection mode(s)		L/N and N/PE
Protection mode(s)		Common/Differential mode
Protection level L/N @ In (8/20µs)	Up L/N	2.5 kV
Protection level N/PE @ In (8/20µs)	Up N/PE	1.5 kV
Admissible short-circuit current	I _{sc}	50 000 A
Mechanical Characteristics		
Technology		MOV
SPD configuration		3-phase+Neutral
Connection to Network		By screw terminals: 6-35mm ² / by bus
Format		1-pole modular box assembled
Mounting		Symmetrical rail 35 mm (EN 60715)
Housing material		Thermoplastic UL94 V-0
Operating temperature	Tu	-40/+85°C
Protection rating		IP20
Failsafe mode		Disconnection from AC network
Disconnection indicator		3 mechanical indicators by pole
Remote signaling of disconnection		Output on changeover contact
Dimensions		See diagram
Disconnectors		
Thermal disconnector		Internal
Installation ground fault breaker		Type 'S' or delayed
Back-up protection device		Fuse assembly: SFD1-25S-40 / or Fuses Type gG 315 A
Standards		
Standards compliance		IEC 61643-11 / EN 61643-11 / UL1449 ed.5
Certification		
Part number		
3411		

