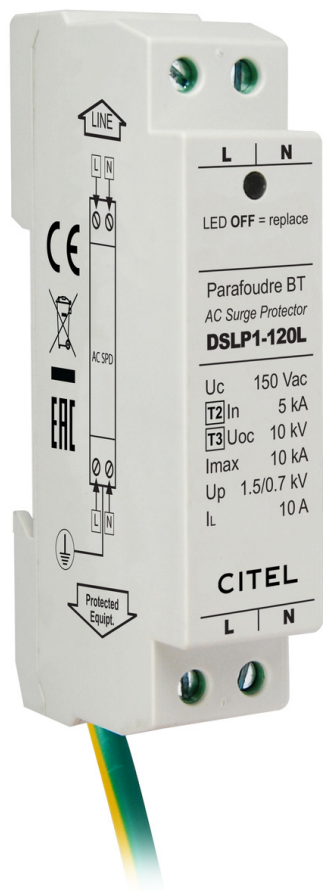




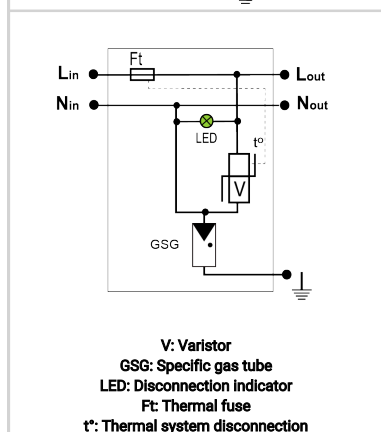
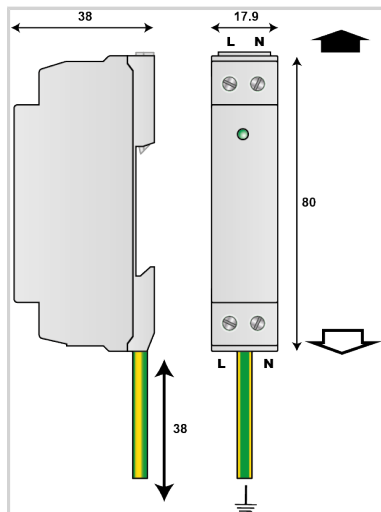
CITEL

Surge protector for LED lighting system Class 1

DSLSP1-120L



- Type 2 (or 3) surge protectors for LED
- Very compact (low profile)
- DIN rail mounting
- Screw terminal connection
- Status indicator
- Disconnection AC end of life
- EN 61643-11, IEC 61643-11 compliance



| Electrical Characteristics | | |
|--|-------------------|---|
| SPD type | IEC | 2+3 |
| Network | | 120/208 V |
| AC system | | TT-TN |
| Nominal line voltage | Un | 120 Vac |
| Max. AC operating voltage | Uc | 150 Vac |
| Max. load current @25°C | IL | 10 A |
| Temporary Over Voltage (TOV) Characteristics - 5 sec. Without disconnection | UT | 180 Vac withstand |
| Temporary Over Voltage (TOV) Characteristics - 120 mn Without disconnection or with safety disconnection | UT | 230 Vac disconnection |
| Temporary Over Voltage N/PE (TOV HT) Without disconnection or with safety disconnection | UT | 1200 V/300A/200 ms disconnection |
| Residual Current Leakage current to Ground | Ipe | None |
| Nominal discharge current 15 x 8/20 μs impulses | In | 5 kA |
| Max. discharge current max. withstand @ 8/20 μs by pole | I _{max} | 10 kA |
| Withstand on Combination waveform IEC 61643-11 Class III test: 1.2/50μs - 8/20μs | Uoc | 10 kV / 5 kA |
| Withstand on overvoltages IEEE C62.41.1 | | 10 kV / 10 kA |
| Protection mode(s) | | Common/Differential mode |
| Protection level L/N @ In (8/20μs) | Up L/N | 0.7 kV |
| Protection level N/PE @ In (8/20μs) | Up N/PE | 1.5 kV |
| Admissible short-circuit current | I _{scrr} | 10 000 A |
| Mechanical Characteristics | | |
| Technology | | MOV+GDT |
| Connection to Network | | Screw terminal 2.5 mm ² max. Earthing conductor 2 mm ² - length 60 cm |
| Mounting | | Symmetrical rail 35 mm (EN 60715) |
| Housing material | | Thermoplastic UL94 V-0 |
| Operating temperature | Tu | -40/+85°C |
| Protection rating | | IP20 |
| Failsafe mode | | Disconnection from AC network |
| Disconnection indicator | | LED green OFF and AC network cut-off |
| Operating indicator | | Green Led ON |
| Dimensions | | See diagram |



CITEL

Surge protector for LED lighting system Class 1

DSLPL1-120L

| Disconnectors | | |
|-----------------------------------|--|----------------------------|
| Thermal disconnecter | | Internal |
| Installation ground fault breaker | | Type 'S' or delayed |
| Standards | | |
| Standards compliance | | EN 61643-11 / IEC 61643-11 |
| Certification | | CB |
| Part number | | |
| 352912 | | |

