



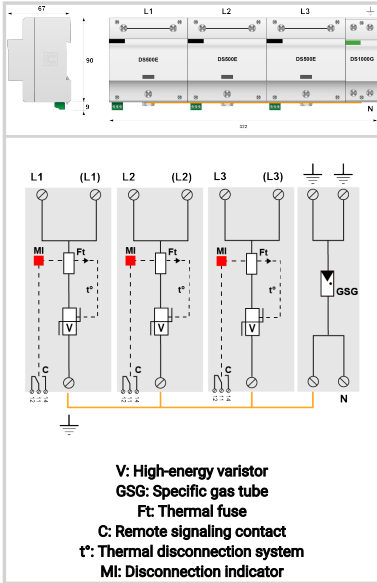
CITEL



Type 1+2 AC surge protector - 3-phase+N

DS504E-320/G

- ▶ Type 1 + 2 multipolar AC surge protector
- ▶ Iimp total : 100 kA (10/350µs impulse)
- ▶ Imax : 200 kA (8/20µs impulse)
- ▶ Internal disconnections, status indicator and remote signaling
- ▶ Conforme NF EN 61643-11, IEC 61643-11, UL1449 ed.5



| Electrical Characteristics | | |
|--|---------|--|
| SPD type | IEC | 1+2 |
| Network | | 230/400V |
| AC system | | TT-TNS |
| Nominal line voltage | Un | 230 Vac |
| Max. AC operating voltage | Uc | 320 Vac |
| Max. load current <i>if series connection</i> | IL | 100 A |
| Temporary Over Voltage (TOV) Characteristics - 5 sec. <i>Without disconnection</i> | UT | 335 Vac withstand |
| Temporary Over Voltage (TOV) Characteristics - 120 mn <i>Without disconnection or with safety disconnection</i> | UT | 440 Vac disconnection |
| Temporary Over Voltage N/PE (TOV HT) <i>Without disconnection or with safety disconnection</i> | UT | 1200 V/300A/200 ms withstand |
| Follow current | If | None |
| Nominal discharge current <i>15 x 8/20 µs impulses</i> | In | 50 kA |
| Max. discharge current <i>max. withstand @ 8/20 µs by pole</i> | Imax | 200 kA |
| Impulse current by pole <i>max. withstand 10/350µs by pole</i> | Iimp | 50 kA |
| Total lightning current <i>max. total withstand @ 10/350µs</i> | Itotal | 100 kA |
| Specific energy by pole <i>max. withstand 10/350 µs</i> | W/R | 156 kJ/ohm |
| Connection mode(s) | | L/N and N/PE |
| Protection mode(s) | | Common/Differential mode |
| Protection level L/N <i>@ In (8/20µs)</i> | Up L/N | 1.8 kV |
| Protection level N/PE <i>@ In (8/20µs)</i> | Up N/PE | 1.5 kV |
| Residual voltage L/N at 5 kA <i>@ 5 kA (8/20µs)</i> | Up-5kA | 1.2 kV |
| Protection level N/PE at 5 kA <i>@ 5 kA (8/20µs)</i> | Up-5kA | 1.2 kV |
| Admissible short-circuit current | Isc cr | 50 000 A |
| Mechanical Characteristics | | |
| Technology | | MOV |
| SPD configuration | | 3-phase |
| Connection to Network | | By screw terminals: 6-35mm ² / by bus |
| Format | | 1-pole modular box assembled |
| Mounting | | Symmetrical rail 35 mm (EN 60715) |
| Housing material | | Thermoplastic UL94 V-0 |
| Operating temperature | Tu | -40/+85°C |
| Protection rating | | IP20 |
| Failsafe mode | | Disconnection from AC network |
| Disconnection indicator | | 1 mechanical indicator by pole |
| Remote signaling of disconnection | | Output on changeover contact |
| Dimensions | | See diagram |
| Disconnectors | | |
| Thermal disconnector | | Internal |
| Installation ground fault breaker | | Type 'S' or delayed |
| Back-up protection device | | Fuses Type gG - 500 A |
| Standards | | |
| Standards compliance | | IEC 61643-11 / EN 61643-11 / UL1449 ed.5 |
| Certification | | |
| Part number | | |
| 64017 | | |

