



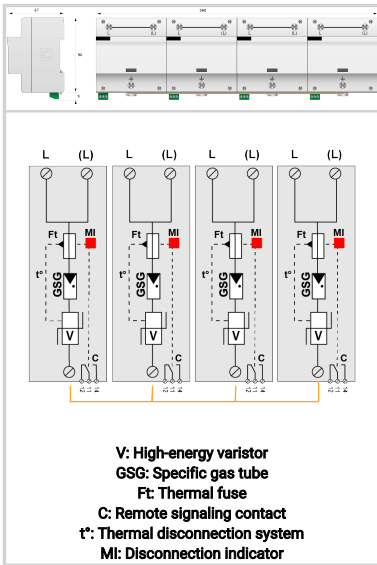
CITEL

Type 1+2 AC surge protector - 3-phase+N

DS254VG-690



- Type 1+2 surge protector
- For 400/690 V network
- In : 30 kA
- Iimp : 25 kA
- Low voltage Up
- Internal disconnection, status indicator
- Remote signaling
- IEC 61643-11, EN 61643-11 and UL1449 ed4 compliance



Electrical Characteristics

SPD type	IEC	1+2+3
Network		400/690 V 3-phase+N
AC system		TNC-IT
Nominal line voltage	Un	690 Vac
Max. AC operating voltage	Uc	760 Vac
Max. load current <i>if series connection</i>	IL	100 A
Temporary Over Voltage (TOV) Characteristics - 5 sec. <i>Without disconnection</i>	UT	1050 Vac withstand
Temporary Over Voltage (TOV) Characteristics - 120 mn <i>Without disconnection or with safety disconnection</i>	UT	1350 Vac withstand
Residual Current <i>Leakage current to Ground</i>	Ipe	None
Follow current	If	None
Nominal discharge current <i>15 x 8/20 μs impulses</i>	In	30 kA
Max. discharge current <i>max. withstand @ 8/20 μs by pole</i>	Imax	100 kA
Impulse current by pole <i>max. withstand 10/350μs by pole</i>	Iimp	25 kA
Total lightning current <i>max. total withstand @ 10/350μs</i>	Itotal	100 kA
Withstand on overvoltages IEEE C62.41.1		20 kV
Specific energy by pole <i>max. withstand 10/350 μs</i>	W/R	156 kJ/ohm
Connection mode(s)		L/PE
Protection mode(s)		Common mode
Protection level L/PE <i>@ In (8/20μs)</i>	Up L/PE	4 kV
Residual voltage L/PE at 5 kA <i>@ 5 kA (8/20μs)</i>	Up-5kA	2.6 kV
Admissible short-circuit current	Iscrr	50 000 A

Mechanical Characteristics

Technology		VG Technology (MOV+GSG)
SPD configuration		3-phase+Neutral
Connection to Network		By screw: 6-35mm ² (50mm ² flexible)
Format		1-pole modular box assembled
Mounting		Symmetrical rail 35 mm (EN 60715)
Housing material		Thermoplastic UL94 V-0
Operating temperature	Tu	-40/+85°C
Protection rating		IP20
Failsafe mode		Disconnection from AC network
Disconnection indicator		1 mechanical indicator by pole
Remote signaling of disconnection		Output on changeover contact
Dimensions		See diagram

Disconnectors

Thermal disconnector		Internal
Installation ground fault breaker		Type 'S' or delayed
Back-up protection device		Fuses Type gG 315 A

Standards

Standards compliance		IEC 61643-11 / EN 61643-11 / UL1449 ed.5
Certification		

Part number

2546902

