



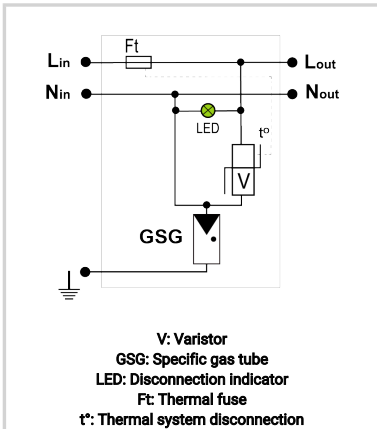
CITEL

AC surge protector for LED Lighting system Class 1

MLPC1-277L-V/50



- UL Type 2CA surge protectors for Led lighting
- Very compact,
- Plate mounting
- Screw terminal connection,
- Status indicator,
- End of life AC Disconnection
- EN 61643-11, IEC 61643-11 and UL1449 ed.5 certified



Electrical Characteristics		
SPD type	IEC	2+3
AC system		2W+G (Single Phase)
Nominal line voltage	Un	100 V-277 V
Max. discharge current <i>max. withstand @ 8/20 μs by pole</i>	Imax	10 kA
Withstand on Combination waveform IEC 61643-11 <i>Class III test: 1.2/50μs - 8/20μs</i>	Uoc	10 kV
Mechanical Characteristics		
Housing material		Thermoplastic UL94 V-0
Disconnection indicator		LED green OFF and AC network cut-off
Standards		
Certification		UL Listed / IMQ
Environmental standards		EU RoHS
Part number		
831322		

