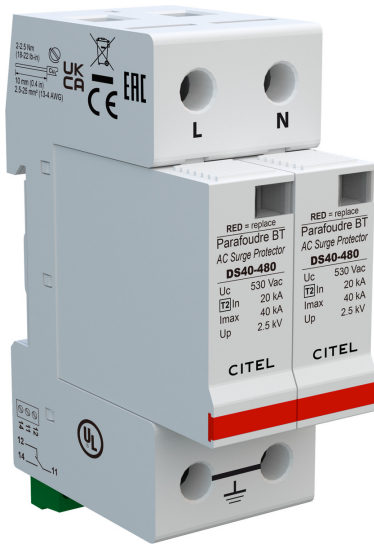




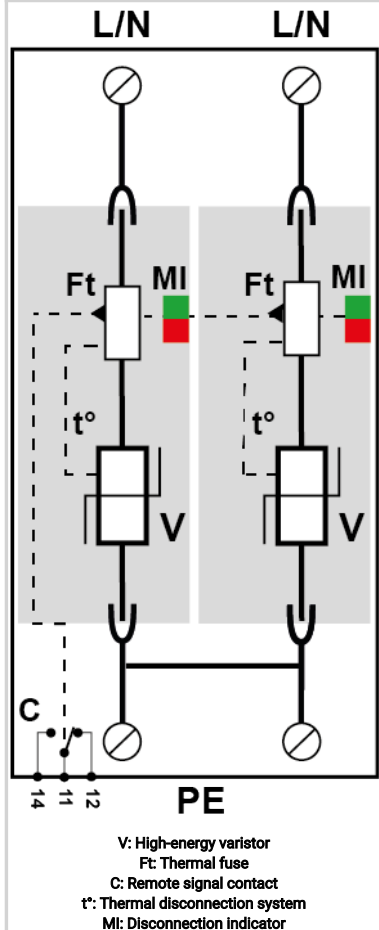
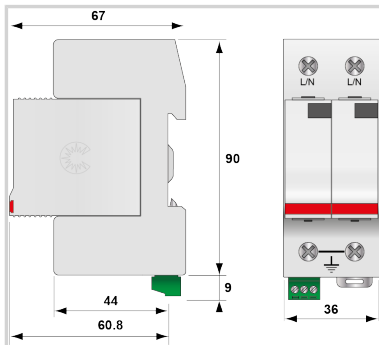
CITEL

Type 2 AC surge protector - Single-phase

DS42S-480



- › Discover our latest innovation : the [DAC50S-20-530](#)
- › Type 2 AC Multipolar surge protector
- › In: 20 kA
- › I_{max} total: 80 kA
- › Pluggable module for each phase
- › Remote signaling
- › EN 61643-11, IEC 61643-11, UL1449 ed.5



Electrical Characteristics		
Network		230-277 V Single-phase
AC system		TT-TN
Nominal line voltage	U _n	230-277 Vac
Max. AC operating voltage	U _c	530 Vac
Temporary Over Voltage (TOV) Characteristics - 5 sec. Without disconnection	U _T	700 Vac withstand
Temporary Over Voltage (TOV) Characteristics - 120 mn Without disconnection or with safety disconnection	U _T	920 Vac disconnection
Residual Current Leakage current to Ground	I _{pe}	< 1 mA
Follow current	I _f	None
Nominal discharge current 15 x 8/20 μs impulses	I _n	20 kA
Connection mode(s)		L/PE and N/PE
Protection mode(s)		Common mode
Protection level N/PE @ I _n (8/20μs)	U _p N/PE	2.5 kV
Protection level L/PE @ I _n (8/20μs)	U _p L/PE	2.5 kV
Admissible short-circuit current	I _{sc}	25 000 A
Mechanical Characteristics		
IP degree		IP 20
SPD configuration		Single phase
Format		Plug-in modular box
Operating temperature	T _u	-40/+85°C
Failsafe mode		Disconnection from AC network
Disconnection indicator		1 mechanical indicator by pole
Spare module(s)		DSM40-480
Remote signaling of disconnection		Output on changeover contact
Disconnectors		
Thermal disconnector		Internal
Installation ground fault breaker		Type 'S' or delayed
Back-up protection device		Fuses type gG - 50 A
Standards		
Certification		CSA / UL Listed
Environmental standards		EU RoHS
Part number		
461015		

