



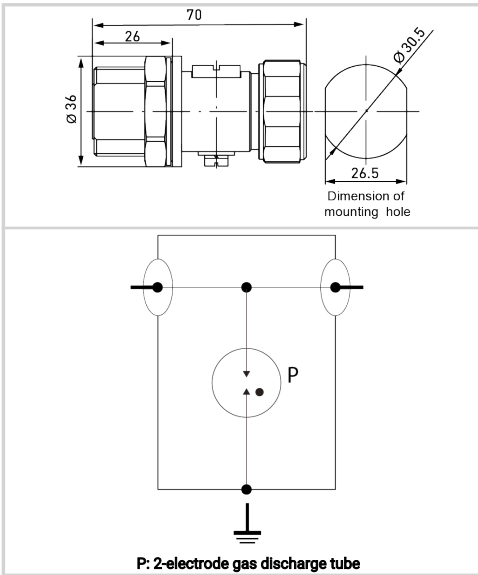
CITEL

Coaxial surge protector DC-3.5 GHz

P8AX50-716/MF



- RF coaxial surge protector
- 3.5 GHz
- 780 W
- Connectors: 5/16
- Low insertion loss
- Removable GDT
- DC-pass
- Bi-directional protection



Electrical Characteristics

| | | |
|---|------------------|-------------|
| Max. DC operating voltage | Uc | 400 Vdc |
| Frequency range | f | DC-3.5 GHz |
| Insertion loss | | < 0.2 dB |
| Return loss | | > 20 dB |
| Impedance | | 50 ohms |
| VSWR | | < 1.2:1 |
| Max. load current @25°C | IL | 10 A |
| Residual Current Leakage current to Ground | Ipe | None |
| Max. discharge current max. withstand @ 8/20 μs by pole | I _{max} | 20 kA |
| Nominal discharge current C2 Category | I _n | 5 kA |
| Protection mode(s) | | Common mode |
| Protection level @1kV/μs (C3) | U _p | < 1200 V |
| Impulse current 2 x 10/350μs Test - D1 Category | I _{imp} | 1 kA |
| Max Power | | 780 W |
| Typical let through energy (50 ohms) input 4kV 1.2/50μs - 2kA 8/20μs | | 1100 μJ |
| DC Pass | | Yes |
| Insulation resistance | IR | ≥ 10 GOhms |

Mechanical Characteristics

| | | |
|-------------------------|----|---------------------------------|
| Technology | | Gas discharge tube |
| Connection to Network | | Connector 7/16 Male/Female |
| Mounting | | Feedthrough |
| Housing material | | Brass/Surface plating: Cu Zn Sn |
| Operating temperature | Tu | -40/+85°C |
| Relative Humidity | | 5 - 85% |
| Protection rating | | IP65 |
| Failsafe mode | | Short-circuit |
| Disconnection indicator | | Transmission interrupt |
| Spare module(s) | | BBHF-500V |
| Dimensions | | See diagram |
| Contacts | | Bronze/Surface Au-Ag |

Standards

| | | |
|----------------------|--|-------------------------------------|
| Standards compliance | | IEC 61643-21 / EN 61643-21 / UL497E |
| RohS compliance | | Yes |

Part number

60407

