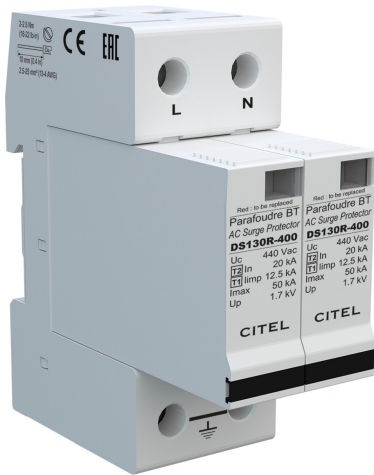




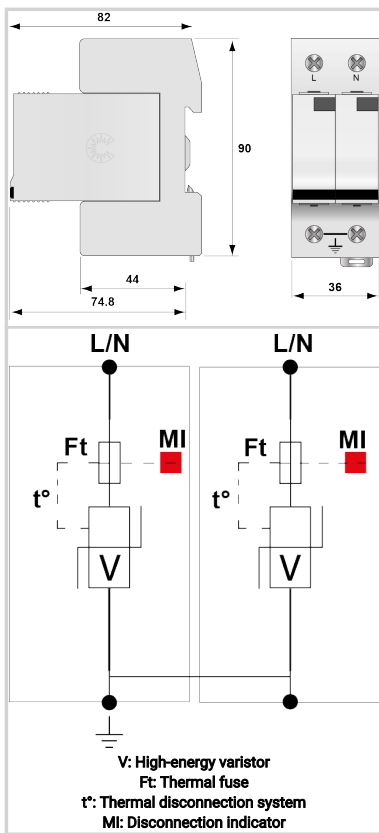
# CITEL

## Type 1+2 AC surge protector single-phase

### DS132R-400



- ▶ Discover our latest innovation : the [DAC1-13-20-440](#)
- ▶ Type 1 + 2 AC multipolar surge protector
- ▶ In : 20 kA
- ▶ Iimp total : 25 kA
- ▶ Pluggable module for each phase
- ▶ Remote signaling (option)
- ▶ EN 61643-11, IEC 61643-11 compliance



#### Electrical Characteristics

|   |         |                       |
|---|---------|-----------------------|
| SPD type  | IEC     | 1+2                   |
| Network   |         | 230/400 V             |
| AC system   |         | IT                    |
| Nominal line voltage  | Un      | 400 Vac               |
| Max. AC operating voltage   | Uc      | 440 Vac               |
| Temporary Over Voltage (TOV) Characteristics - 5 sec.<br>Without disconnection                              | UT      | 580 Vac withstand     |
| Temporary Over Voltage (TOV) Characteristics - 120 mn<br>Without disconnection or with safety disconnection | UT      | 770 Vac disconnection |
| Follow current  | If      | None                  |
| Nominal discharge current<br>15 x 8/20 μs impulses  | In      | 20 kA                 |
| Max. discharge current<br>max. withstand @ 8/20 μs by pole  | Imax    | 50 kA                 |
| Impulse current by pole<br>max. withstand 10/350 μs by pole   | Iimp    | 12.5 kA               |
| Total lightning current<br>max. withstand @ 10/350 μs   | Itotal  | 25 kA                 |
| Withstand on overvoltages IEEE C62.41.1   |         | 20 kV                 |
| Specific energy by pole<br>max. withstand 10/350 μs   | W/R     | 40 kJ/ohm             |
| Connection mode(s)  |         | L/PE and N/PE         |
| Protection mode(s)  |         | Common mode           |
| Protection level N/PE<br>@ In (8/20 μs)   | Up N/PE | 1.7 kV                |
| Protection level L/PE<br>@ In (8/20 μs)   | Up L/PE | 1.7 kV                |
| Admissible short-circuit current  | Iscrr   | 25 000 A              |

#### Mechanical Characteristics

|                                   |    |  |
|-----------------------------------|----|--|
| Technology                        |    | MOV  |
| SPD configuration                 |    | Single phase                                       |
| Connection to Network             |    | By screw terminals: 2.5-25mm <sup>2</sup> / by bus |
| Format                            |    | Plug-in modular box                                |
| Mounting                          |    | Symmetrical rail 35 mm (EN 60715)                  |
| Housing material                  |    | Thermoplastic UL94 V-0                             |
| Operating temperature             | Tu | -40/+85°C  |
| Protection rating                 |    | IP20   |
| Failsafe mode                     |    | Disconnection from AC network                      |
| Disconnection indicator           |    | 1 mechanical indicator by pole                     |
| Spare module(s)                   |    | DSM130R-400  |
| Remote signaling of disconnection |    | option DS132RS-400 : output on changeover contact  |
| Dimensions                        |    | See diagram  |

#### Disconnectors

|                                   |  |                       |
|-----------------------------------|--|-----------------------|
| Thermal disconnector              |  | Internal              |
| Installation ground fault breaker |  | Type 'S' or delayed   |
| Back-up protection device         |  | Fuses Type gG - 125 A |

#### Standards

|                      |  |  |
|----------------------|--|--|
| Standards compliance |  | IEC 61643-11 / EN 61643-11 / UL1449 ed.5 |
| Certification        |  |  |

#### Part number

571402

