



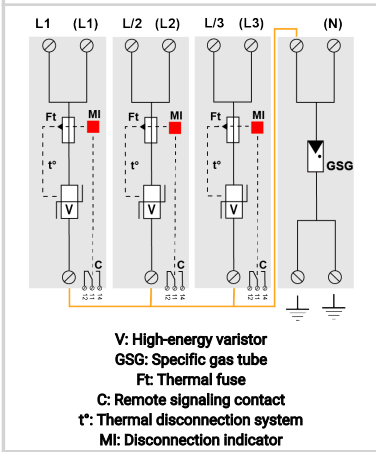
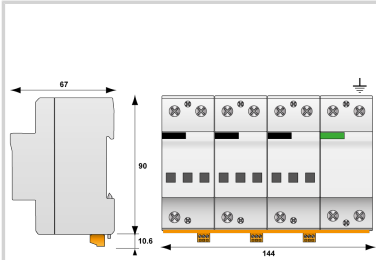
CITEL



Type 1+2 AC surge protector - 3-phase+N

DS254E-120/G

- Type 1 + 2 unipolar surge protector
- Iimp total: 100 kA on 10/350µs impulse
- Imax : 140 kA on 8/20µs impulse
- Internal disconnections, status indicators
- Remote signaling
- IEC 61643-11, EN 61643-11 and UL1449 ed.5 compliance



Electrical Characteristics

SPD type	IEC	1+2
Network		120/208 V 3-phase+N
AC system		TT-TNS
Nominal line voltage	Un	120 Vac
Max. AC operating voltage	Uc	150 Vac
Max. load current <i>if series connection</i>	IL	100 A
Temporary Over Voltage (TOV) Characteristics - 5 sec. <i>Without disconnection</i>	UT	180 Vac withstand
Temporary Over Voltage (TOV) Characteristics - 120 mn <i>Without disconnection or with safety disconnection</i>	UT	230 Vac disconnection
Temporary Over Voltage N/PE (TOV HT) <i>Without disconnection or with safety disconnection</i>	UT	1200 V/300A/200 ms withstand
Residual Current <i>Leakage current to Ground</i>	Ipe	None
Follow current	If	None
Nominal discharge current <i>15 x 8/20 µs impulses</i>	In	70 kA
Max. discharge current <i>max. withstand @ 8/20 µs by pole</i>	I _{max}	140 kA
Impulse current by pole <i>max. withstand 10/350µs by pole</i>	I _{imp}	26 kA
Total lightning current <i>max. total withstand @ 10/350µs</i>	I _{total}	100 kA
Specific energy by pole <i>max. withstand 10/350 µs</i>	W/R	156 kJ/ohm
Connection mode(s)		L/N and N/PE
Protection mode(s)		Common/Differential mode
Protection level L/N <i>@ In (8/20µs)</i>	Up L/N	1 kV
Protection level N/PE <i>@ In (8/20µs)</i>	Up N/PE	1.5 kV
Admissible short-circuit current	I _{sc}	50 000 A

Mechanical Characteristics

Technology		MOV
SPD configuration		3-phase+Neutral
Connection to Network		By screw terminals: 6-35mm ² / by bus
Format		1-pole modular box assembled
Mounting		Symmetrical rail 35 mm (EN 60715)
Housing material		Thermoplastic UL94 V-0
Operating temperature	Tu	-40/+85°C
Protection rating		IP20
Failsafe mode		Disconnection from AC network
Disconnection indicator		3 mechanical indicators by pole
Remote signaling of disconnection		Output on changeover contact
Dimensions		See diagram

Disconnectors

Thermal disconnector		Internal
Installation ground fault breaker		Type 'S' or delayed
Back-up protection device		Fuse assembly: SFD1-25-40S / or Fuses Type gG 315 A

Standards

Standards compliance		IEC 61643-11 / EN 61643-11 / UL1449 ed.5
Certification		

Part number

3831

