



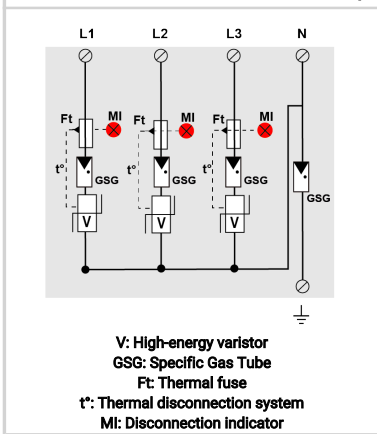
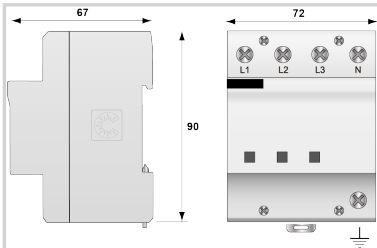
CITEL



Type 1+2+3 AC surge protector - 3-phase+N

DUT250VG-300/TT

- Type 1+2+3, 3-phase surge protector
- Common and differential mode
- Very compact monobloc enclosure
- Iimp by pole/total : 25kA
- Internal disconnection, status indicator
- Optimized to TOV
- EN 61643-11, IEC 61643-11 and UL1449 ed.5 compliance



Electrical Characteristics

SPD type	IEC	1+2+3
Network		480 V 3-phase
AC system		TT-TNS
Nominal line voltage	Un	230/400 Vac
Max. AC operating voltage	Uc	255 Vac
Temporary Over Voltage (TOV) Characteristics - 5 sec. Without disconnection	UT	335 Vac withstand
Temporary Over Voltage (TOV) Characteristics - 120 mn Without disconnection or with safety disconnection	UT	440 Vac withstand
Temporary Over Voltage N/PE (TOV HT) Without disconnection or with safety disconnection	UT	1200 V/300A/200 ms withstand
Residual Current Leakage current to Ground	Ipe	None
Follow current	If	None
Nominal discharge current 15 x 8/20 μs impulses	In	40 kA
Max. discharge current max. withstand @ 8/20 μs by pole	Imax	100 kA
Impulse current by pole max. withstand 10/350μs by pole	Iimp	25 kA
Total lightning current max. total withstand @ 10/350μs	Itotal	50 kA
Withstand on Combination waveform IEC 61643-11 Class III test: 1.2/50μs - 8/20μs	Uoc	6 kV
Withstand on overvoltages IEEE C62.41.1		20 kV
Specific energy by pole max. withstand 10/350 μs	W/R	156 kJ/ohm
Connection mode(s)		L/N and N/PE
Protection mode(s)		Common/Differential mode
Protection level @ In (8/20μs)	Up	1.5 kV
Residual voltage @ In (8/20 μs)	Up-in	1.1 kV
Protection level L/N @ In (8/20μs)	Up L/N	1.5 kV
Protection level L/PE @ In (8/20μs)	Up L/PE	1.5 kV
Admissible short-circuit current	Iscrr	50 000 A

Mechanical Characteristics

Technology		VG Technology (MOV+GSG)
SPD configuration		3-phase+Neutral
Connection to Network		By screw terminals: 6-35mm ² / by bus
Format		Multipolar modular box
Mounting		Symmetrical rail 35 mm (EN 60715)
Housing material		Thermoplastic UL94 V-0
Operating temperature	Tu	-40/+85°C
Protection rating		IP20
Disconnection indicator		3 mechanical indicators by pole
Remote signaling of disconnection		none
Dimensions		See diagram

Disconnectors

Thermal disconnector		Internal
Installation ground fault breaker		Type 'S' or delayed
Back-up protection device		Fuse assembly: SFD1-25-40S / or Fuses Type gG 315 A

Standards

Standards compliance		IEC 61643-11 / EN 61643-11 / UL1449 ed.5
Certification		

Part number

3582





CITEL

Type 1+2+3 AC surge protector - 3-phase+N

DUT250VG-300/TT

