



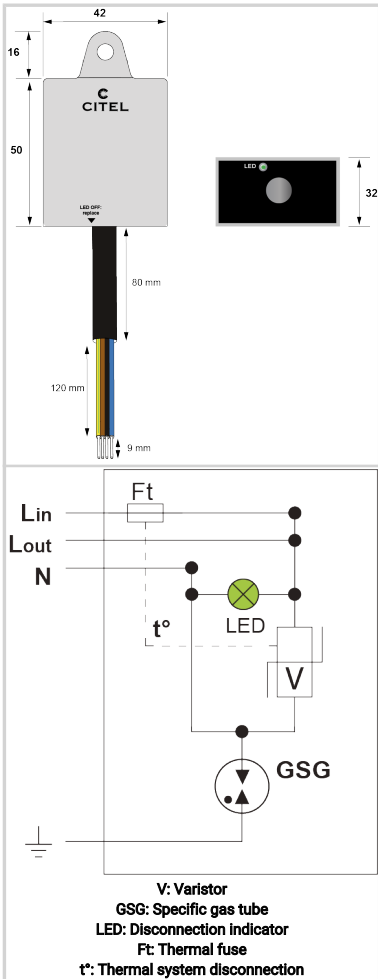
CITEL

Compact Type 2 hard wired surge protector

MLPCA1-230L



- Type 2 (or 3) Single phase surge protector
- Compact
- Wall mounting
- Status indicators
- IP65
- AC disconnection in case of end of life



Electrical Characteristics		
SPD type	IEC	2+3
Network		220-240 V Single-phase
AC system		TT-TN
Nominal line voltage	Un	230 V
Max. AC operating voltage	Uc	320 Vac
Max. load current @25°C	IL	10 A
Temporary Over Voltage (TOV) Characteristics - 5 sec. Without disconnection	UT	335 Vac withstand
Temporary Over Voltage (TOV) Characteristics - 120 mn Without disconnection or with safety disconnection	UT	440 Vac disconnection
Follow current	If	None
Nominal discharge current 15 x 8/20 µs impulses	In	5 kA
Max. discharge current max. withstand @ 8/20 µs by pole	Imax	10 kA
Total Maximum discharge current max. total withstand @ 8/20 µs	Imax Total	20 kA
Withstand on Combination waveform IEC 61643-11 Class III test: 1.2/50µs - 8/20µs	Uoc	10 kV
Withstand on overvoltages IEEE C62.41.1		10 kV / 10 kA
Protection mode(s)		Common/Differential mode
Protection level @ In (8/20µs)	Up	1.5 kV
Protection level L/N @ In (8/20µs)	Up L/N	1.5 kV
Protection level L/PE @ In (8/20µs)	Up L/PE	1.5 kV
Admissible short-circuit current	Iscrr	10 000 A
Mechanical Characteristics		
Technology		MOV+GDT
Connection to Network		Cable with 4-wire of 1.5mm ²
Mounting		Wall or plate
Housing material		Thermoplastic UL94 V-0
Operating temperature	Tu	-40/+85°C
Protection rating		IP65
Failsafe mode		Disconnection and AC line cut-off
Disconnection indicator		Green LED OFF and line cut off
Operating indicator		Green Led ON
Dimensions		See diagram
Disconnectors		
Thermal disconnector		Internal
Installation ground fault breaker		Type 'S' or delayed
Standards		
Standards compliance		IEC 61643-11 / EN 61643-11 / UL1449 ed.5
Part number		
835261		

