



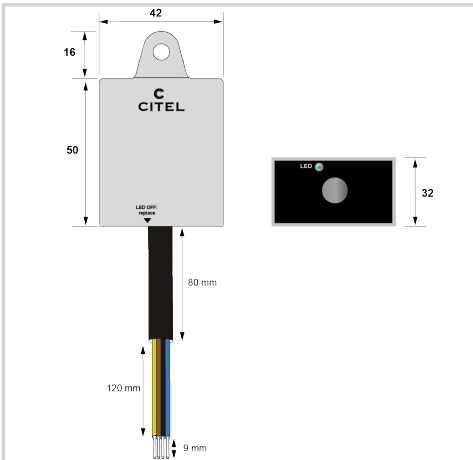
# CITEL



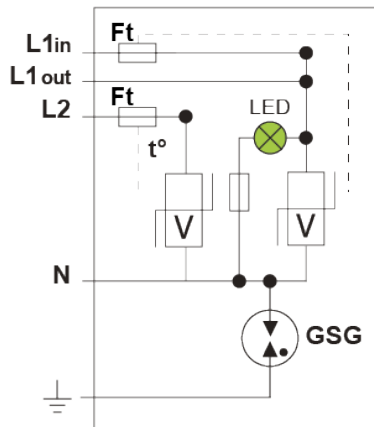
## Compact Type 2 hard wired surge protector

### MLPCA1-230L-2L

- Type 2 (or 3) 2 phase + N surge protector
- Compact
- Wall mounting
- Status indicators
- IP65
- AC disconnection in case of end of life



MLPCA1-230L-2L



V: Varistor  
 GSG: Specific gas tube  
 LED: Disconnection indicator  
 Ft: Thermal fuse  
 t\*: Thermal system disconnection

Electrical Characteristics		
SPD type	IEC	2+3
Network		2-phase + N 220-240 V
AC system		TT-TN
Nominal line voltage	Un	230 V
Max. AC operating voltage	Uc	320 Vac
Max. load current @25°C	IL	10 A
Temporary Over Voltage (TOV) Characteristics - 5 sec. <i>Without disconnection</i>	UT	335 Vac withstand
Temporary Over Voltage (TOV) Characteristics - 120 mn <i>Without disconnection or with safety disconnection</i>	UT	440 Vac disconnection
Follow current	If	None
Nominal discharge current <i>15 x 8/20 μs impulses</i>	In	5 kA
Max. discharge current <i>max. withstand @ 8/20 μs by pole</i>	Imax	10 kA
Total Maximum discharge current <i>max. total withstand @ 8/20 μs</i>	Imax Total	30 kA
Withstand on Combination waveform IEC 61643-11 <i>Class III test: 1.2/50μs - 8/20μs</i>	Uoc	10 kV
Withstand on overvoltages IEEE C62.41.1		10 kV / 10 kA
Protection mode(s)		Common/Differential mode
Protection level <i>@ In (8/20μs)</i>	Up	1.5 kV
Protection level L/N <i>@ In (8/20μs)</i>	Up L/N	1.5 kV
Protection level L/PE <i>@ In (8/20μs)</i>	Up L/PE	1.5 kV
Admissible short-circuit current	Iscrr	10 000 A
Mechanical Characteristics		
Technology		MOV+GDT
Connection to Network		Cable with 5-wire of 1.5mm <sup>2</sup>
Mounting		Wall or plate
Housing material		Thermoplastic UL94 V-0
Operating temperature	Tu	-40/+85°C
Protection rating		IP65
Failsafe mode		Disconnection and AC line cut-off
Disconnection indicator		LED green OFF and AC network cut-off
Operating indicator		Green Led ON
Dimensions		See diagram
Disconnectors		
Thermal disconnector		Internal
Installation ground fault breaker		Type 'S' or delayed
Standards		
Standards compliance		IEC 61643-11 / EN 61643-11 / UL1449 ed.5
Part number		<b>835265</b>

