



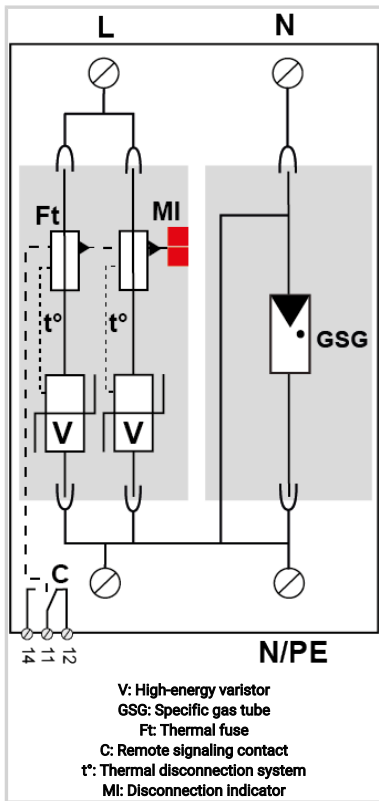
CITEL



Type 2 AC surge protector - 3-phase

DS72RS-320/G

- › Discover our latest innovation : the [DAC80S-11-385](#)
- › Re-inforced Type 2 AC surge protector
- › In : 30 kA
- › Imax : 70 kA
- › Pluggable module by phase
- › Remote signaling
- › IEC 61643-11, EN 61643-11 compliance
- › UL1449 ed.5 approved



Electrical Characteristics		
SPD type	IEC	2
Network		480 V 3-phase
AC system		TT
Nominal line voltage	Un	230 Vac
Max. AC operating voltage	Uc	320 Vac
Temporary Over Voltage (TOV) Characteristics - 5 sec. Without disconnection	UT	335 Vac withstand
Temporary Over Voltage (TOV) Characteristics - 120 mn Without disconnection or with safety disconnection	UT	440 Vac disconnection
Temporary Over Voltage N/PE (TOV HT) Without disconnection or with safety disconnection	UT	1200 V/300A/200 ms withstand
Residual Current Leakage current to Ground	Ipe	None
Follow current	If	None
Nominal discharge current 15 x 8/20 µs impulses	In	30 kA
Max. discharge current max. withstand @ 8/20 µs by pole	Imax	70 kA
Total Maximum discharge current max. total withstand @ 8/20 µs	Imax Total	70 kA
Connection mode(s)		L/N and N/PE
Protection mode(s)		Common/Differential mode
Residual voltage at 5 kA @ 5 kA (8/20µs)	Up-5kA	1 kV
Protection level L/N @ In (8/20µs)	Up L/N	1.6 kV
Protection level N/PE @ In (8/20µs)	Up N/PE	1.5 kV
Admissible short-circuit current	Iscrr	25 000 A
Mechanical Characteristics		
Technology		MOV
SPD configuration		Single phase
Connection to Network		By screw terminals: 2.5-25mm ² / by bus
Format		Plug-in modular box
Mounting		Symmetrical rail 35 mm (EN 60715)
Housing material		Thermoplastic UL94 V-0
Operating temperature	Tu	-40/+85°C
Protection rating		IP20
Failsafe mode		Disconnection from AC network
Disconnection indicator		2 mechanical indicators by pole
Spare module(s)		DSM70R-320 + DSM70G-600
Remote signaling of disconnection		Output on changeover contact
Dimensions		See diagram
Disconnectors		
Thermal disconnector		Internal
Installation ground fault breaker		Type 'S' or delayed
Back-up protection device		100 A min. - 125 A max. - Fuses type gG
Standards		
Standards compliance		IEC 61643-11 / EN 61643-11 / UL1449 ed.5
Certification		UL Recognized
Part number		
491931		

