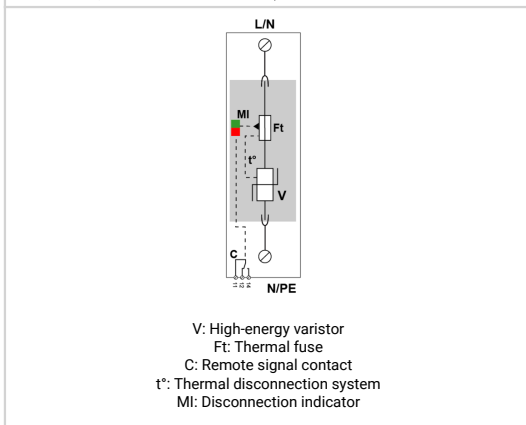
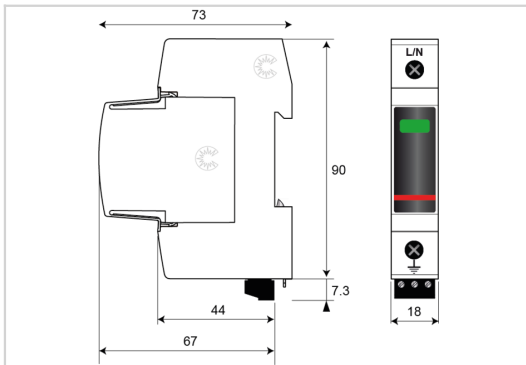


DAC50S-10-760



- ✔ Type 2 AC surge protector
- ✔ In: 20 kA
- ✔ Imax: 50 kA
- ✔ Pluggable module for each phase
- ✔ Remote signaling
- ✔ UL1449 ed.5 certified
- ✔ EN 61643-11, IEC 61643-11 compliance



Electrical Characteristics		
SPD type	IEC	2
Max. AC operating voltage	Uc	760 Vac
Temporary Over Voltage (TOV) Characteristics - 5 sec. Without disconnection	UT	1000 Vac withstand
Temporary Over Voltage (TOV) Characteristics - 120 mn Without disconnection or with safety disconnection	UT	1325 Vac disconnection
Residual Current Leakage current to Ground	Ipe	< 1 mA
Follow current	If	None
Nominal discharge current 15 x 8/20 µs impulses	In	20 kA
Max. discharge current max. withstand @ 8/20 µs by pole	Imax	50 kA
Protection level @ In (8/20µs)	Up	2.9 kV
Residual voltage at 5 kA @ 5 kA (8/20µs)	Up-5kA	2.6 kV
Admissible short-circuit current	Iscrc	50 000 A
Mechanical Characteristics		
Technology		MOV
SPD configuration		Single phase
Connection to Network		By screw terminals: 2.5-25mm ²
Format		Plug-in modular box
Mounting		Symmetrical rail 35 mm (EN 60715)
Housing material		Thermoplastic UL94 V-0
Operating temperature	Tu	-40/+85°C
Protection rating		IP20
Failsafe mode		Disconnection from AC network
Disconnection indicator		1 mechanical indicator - Red/Green
Spare module(s)		MDAC50-760
Remote signaling of disconnection		Output on changeover contact
Wiring for remote signaling		1.5 mm ² max.
Max. Voltage/Current for remote signaling		250 V / 0.5 A (AC) / 30 V / 3 A (DC)
Dimensions		See diagram - 1TE (EN43880)
Weight		0.122 kg
Disconnectors		
Thermal disconnector		Internal
Installation ground fault breaker		Type 'S' or delayed
Back-up protection device		50 A min. - 125 A max. - Fuses Type gG
Standards		
Standards compliance		IEC 61643-11 / EN 61643-11 / UL1449 ed.5
Certification		OVE / UL
Part number		
821110721		