



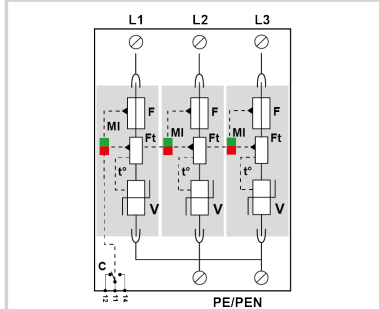
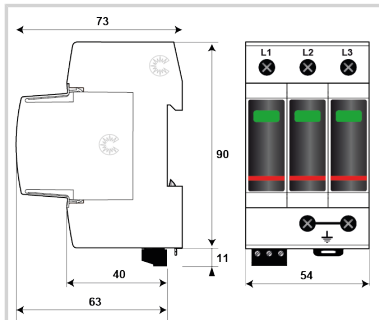
# CITEL

## Type 2 AC surge protector - 3-phase - Integrated fuses

### DACF25S-30-275



- › Type 2 AC surge protector
- › In: 15 kA
- › Imax: 25 kA
- › Internal Disconnection device
- › Pluggable module for each phase
- › Remote signaling
- › EN 61643-11, IEC 61643-11 certified
- › UL1449 ed.5 compliance



**V:** High-energy varistor  
**Ft:** Thermal fuse  
**F:** Overcurrent protection (fuse)  
**t\*:** Thermal disconnection system  
**C:** Remote signal contact  
**MI:** Disconnection indicator

#### Electrical Characteristics

SPD type	IEC	2
Network		230/400 V 3-phase
AC system		TNC
Max. AC operating voltage	Uc	275 Vac
Temporary Over Voltage (TOV) Characteristics - 5 sec. Without disconnection	UT	335 Vac withstand
Temporary Over Voltage (TOV) Characteristics - 120 mn Without disconnection or with safety disconnection	UT	440 Vac disconnection
Residual Current Leakage current to Ground	Ipe	< 1 mA
Follow current	If	None
Nominal discharge current 15 x 8/20 µs impulses	In	15 kA
Max. discharge current max. withstand @ 8/20 µs by pole	Imax	25 kA
Total Maximum discharge current max. total withstand @ 8/20 µs	Imax Total	75 kA
Connection mode(s)		L/PE
Protection level L/PE @ In (8/20µs)	Up L/PE	1.25 kV
Residual voltage L/PE at 5 kA @ 5 kA (8/20µs)	Up-5kA	1 kV
Admissible short-circuit current	Iscrr	100 000 A

#### Mechanical Characteristics

Technology		MOV
SPD configuration		3-phase
Connection to Network		By screw terminals: 2.5-25mm <sup>2</sup> (35mm <sup>2</sup> rigid)
Format		Plug-in modular box
Mounting		Symmetrical rail 35 mm (EN 60715)
Housing material		Thermoplastic UL94 V-0
Operating temperature	Tu	-40/+85°C
Protection rating		IP20
Failsafe mode		Disconnection from AC network
Disconnection indicator		1 mechanical indicator by pole - Red/Green
Spare module(s)		MDACF25-275
Remote signaling of disconnection		Output on changeover contact
Wiring for remote signaling		1.5 mm <sup>2</sup> max.
Max. Voltage/Current for remote signaling		250 V / 0.5 A (AC) / 30 V / 3 A (DC)
Dimensions		See diagram - 3 TE (EN43880)

#### Disconnectors

Thermal disconnector		Internal
Installation ground fault breaker		Type 'S' or delayed
Back-up protection device		internal (equivalent AC rating: 40 A, gG Type)

#### Standards

Standards compliance		IEC 61643-11 / EN 61643-11 / UL1449 ed.5
Certification		KEMA

#### Part number

**821410223**

