



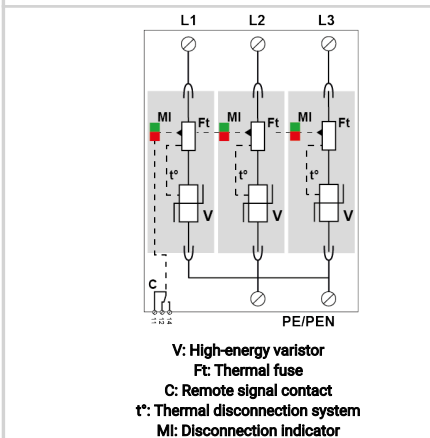
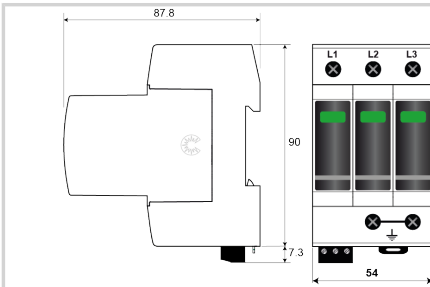
CITEL

Type 1+2 AC surge protector 3-phase

DAC1-13S-30-150



- Type 1 + 2 AC surge protector
- I_n : 20 kA
- I_{limp} : 12.5 kA
- Pluggable module for each phase
- Remote signaling
- EN 61643-11, IEC 61643-11 certified
- UL1449 ed.5 compliance



Electrical Characteristics

SPD type	IEC	1+2
Network		120/208 V 3-phase
AC system		TNC
Max. AC operating voltage	Uc	150 Vac
Temporary Over Voltage (TOV) Characteristics - 5 sec. Without disconnection	UT	180 Vac withstand
Temporary Over Voltage (TOV) Characteristics - 120 mn Without disconnection or with safety disconnection	UT	230 Vac disconnection
Residual Current Leakage current to Ground	Ipe	< 1 mA
Follow current	If	None
Nominal discharge current 15 x 8/20 μ s impulses	I_n	20 kA
Max. discharge current max. withstand @ 8/20 μ s by pole	I_{max}	50 kA
Total Maximum discharge current max. total withstand @ 8/20 μ s	I_{max} Total	150 kA
Impulse current by pole max. withstand 10/350 μ s by pole	I_{limp}	12.5 kA
Impulse current N/PE max. withstand 10/350 μ s	I_{limp} N /PE	50 kA
Total lightning current max. total withstand @ 10/350 μ s	I_{total}	37.5 kA
Specific energy by pole max. withstand 10/350 μ s	W/R	40 kJ/ohm
Protection mode(s)		L/PE
Protection level L/PE @ I_n (8/20 μ s)	Up L/PE	1.2 kV
Residual voltage L/PE at 5 kA @ 5 kA (8/20 μ s)	Up-5kA	0.6 kV
Admissible short-circuit current	Iscrr	50 000 A

Mechanical Characteristics

Technology		MOV
SPD configuration		3-phase
Connection to Network		By screw terminals: 2.5-25mm ² (35mm ² rigid)
Format		Plug-in modular box
Mounting		Symmetrical rail 35 mm (EN 60715)
Housing material		Thermoplastic UL94 V-0
Operating temperature	Tu	-40/+85°C
Protection rating		IP20
Failsafe mode		Disconnection from AC network
Disconnection indicator		1 mechanical indicator by pole - Red/Green
Spare module(s)		MDAC1-13-150
Remote signaling of disconnection		Output on changeover contact
Wiring for remote signaling		1.5 mm ² max.
Max. Voltage/Current for remote signaling		250 V / 0.5 A (AC) / 30 V / 3 A (DC)
Dimensions		See diagram - 3 TE (EN43880)

Disconnectors

Thermal disconnector		Internal
Installation ground fault breaker		Type 'S' or delayed
Back-up protection device		max. 315 A (gL/gG)

Standards

Standards compliance		IEC 61643-11 / EN 61643-11 / UL1449 ed.5
Certification		KEMA

Part number

821710123

