



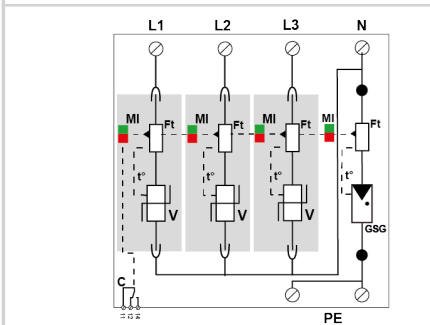
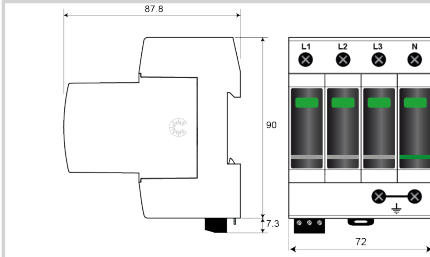
CITEL

Type 1+2 AC surge protector - 3-phase+N

DAC1-13S-31-320



- ▶ Type 1 + 2 AC surge protector
- ▶ In : 20 kA
- ▶ Iimp : 12.5 kA
- ▶ Pluggable module for each phase
- ▶ Remote signaling
- ▶ EN 61643-11, IEC 61643-11 certified
- ▶ UL1449 ed.5 compliance



V: High-energy varistor
GSG: Specific gas tube
Ft: Thermal fuse
C: Remote signaling contact
t*: Thermal disconnection system
MI: Disconnection indicator

Electrical Characteristics

SPD type	IEC	1+2
Network		230/400 V 3-phase+N
AC system		TT-TNS
Max. AC operating voltage	Uc	320 Vac
Temporary Over Voltage (TOV) Characteristics - 5 sec. Without disconnection	UT	335 Vac withstand
Temporary Over Voltage (TOV) Characteristics - 120 mn Without disconnection or with safety disconnection	UT	440 Vac disconnection
Temporary Over Voltage N/PE (TOV HT) Without disconnection or with safety disconnection	UT	1200 V/300A/200 ms withstand
Residual Current Leakage current to Ground	Ipe	None
Follow current	If	None
Nominal discharge current 15 x 8/20 μs impulses	In	20 kA
Max. discharge current max. withstand @ 8/20 μs by pole	I _{max}	50 kA
Total Maximum discharge current max. total withstand @ 8/20 μs	I _{max} Total	150 kA
Impulse current by pole max. withstand 10/350 μs by pole	I _{imp}	12.5 kA
Impulse current N/PE max. withstand 10/350 μs	I _{imp} N /PE	50 kA
Total lightning current max. total withstand @ 10/350 μs	I _{total}	50 kA
Specific energy by pole max. withstand 10/350 μs	W/R	40 kJ/ohm
Protection mode(s)		L/N and N/PE
Protection level @ In (8/20 μs) and @ 6 kV (1,2/50 μs)	Up L/N	1.6 kV
Protection level N/PE @ In (8/20 μs) and @ 6 kV (1,2/50 μs)	Up N/PE	1.5 kV
Residual voltage L/N at 5 kA @ 5 kA (8/20 μs)	Up-5kA	1.2 kV
Protection level N/PE at 5 kA @ 5 kA (8/20 μs)	Up-5kA	1.2 kV
Admissible short-circuit current	I _{sc}	50 000 A

Mechanical Characteristics

Technology		MOV+GDT
SPD configuration		3-phase+Neutral
Connection to Network		By screw terminals: 2.5-25mm ² (35mm ² rigid)
Format		Plug-in modular box
Mounting		Symmetrical rail 35 mm (EN 60715)
Housing material		Thermoplastic UL94 V-0
Operating temperature	Tu	-40/+85°C
Protection rating		IP20
Failsafe mode		Disconnection from AC network
Disconnection indicator		1 mechanical indicator by pole - Red/Green
Spare module(s)		MDAC1-13-320
Remote signaling of disconnection		Output on changeover contact
Wiring for remote signaling		1.5 mm ² max.
Max. Voltage/Current for remote signaling		250 V / 0.5 A (AC) / 30 V / 3 A (DC)
Dimensions		See diagram - 4TE (EN43880)

Disconnectors

Thermal disconnector		Internal
Installation ground fault breaker		Type 'S' or delayed
Back-up protection device		max. 315 A (gL/gG)

Standards

Standards compliance		IEC 61643-11 / EN 61643-11 / UL1449 ed.5
Certification		KEMA

Part number

821710344





CITEL

Type 1+2 AC surge protector - 3-phase+N

DAC1-13S-31-320

