



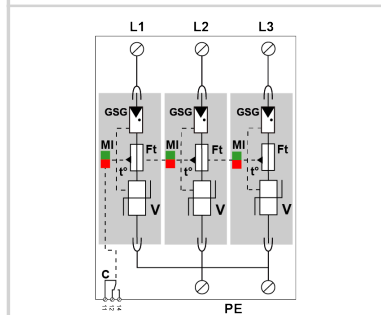
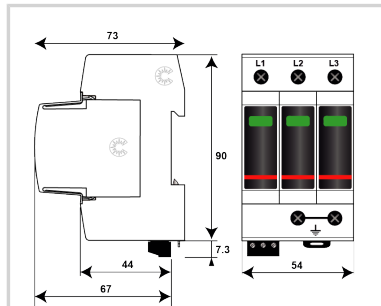
CITEL

Type 2 AC surge protector - 3-phase

DAC50VGS-30-275



- › Type 2 + 3 AC surge protector
- › VG Technology
- › In : 20 kA
- › No leakage current
- › Pluggable module for each phase
- › Remote signaling
- › Optimized to TOV
- › EN 61643-11, IEC 61643-11 and UL1449 ed.5 compliance



V: High-energy varistor
GSG: Specific gas tube
Ft: Thermal fuse
C: Remote signaling contact
t*: Thermal disconnection system
MI: Disconnection indicator

Electrical Characteristics		
SPD type	IEC	2+3
Network		230/400 V 3-phase
AC system		TNC
Max. AC operating voltage	Uc	275 Vac
Temporary Over Voltage (TOV) Characteristics - 5 sec. Without disconnection	UT	335 Vac withstand
Temporary Over Voltage (TOV) Characteristics - 120 mn Without disconnection or with safety disconnection	UT	440 Vac withstand
Residual Current	Ipe	None
Leakage current to Ground		
Follow current	If	None
Nominal discharge current 15 x 8/20 µs impulses	In	20 kA
Max. discharge current max. withstand @ 8/20 µs by pole	I _{max}	50 kA
Total Maximum discharge current max. total withstand @ 8/20 µs	I _{max} Total	150 kA
Withstand on Combination waveform IEC 61643-11 Class III test: 1.2/50µs - 8/20µs	Uoc	6 kV
Connection mode(s)		L/PE
Protection level L/PE @ In (8/20µs)	Up L/PE	1.5 kV
Residual voltage L/PE at 5 kA @ 5 kA (8/20µs)	Up-5kA	0.7 kV
Admissible short-circuit current	I _{sc}	50 000 A
Mechanical Characteristics		
Technology		VG Technology (MOV+GSG)
SPD configuration		3-phase
Connection to Network		By screw terminals: 2.5-25mm ² (35mm ² rigid)
Format		Plug-in modular box
Mounting		Symmetrical rail 35 mm (EN 60715)
Housing material		Thermoplastic UL94 V-0
Operating temperature	Tu	-40/+85°C
Protection rating		IP20
Failsafe mode		Disconnection from AC network
Disconnection indicator		1 mechanical indicator by pole - Red/Green
Spare module(s)		MDAC50VG-275
Remote signaling of disconnection		Output on changeover contact
Wiring for remote signaling		1.5 mm ² max.
Max. Voltage/Current for remote signaling		250 V / 0.5 A (AC) / 30 V / 3 A (DC)
Dimensions		See diagram - 3 TE (EN43880)
Disconnectors		
Thermal disconnector		Internal
Installation ground fault breaker		Type 'S' or delayed
Back-up protection device		50 A min. - 160 A max. - Fuses Type gG
Standards		
Standards compliance		IEC 61643-11 / EN 61643-11 / UL1449 ed.5
Certification		KEMA
Part number		
821130223		

