



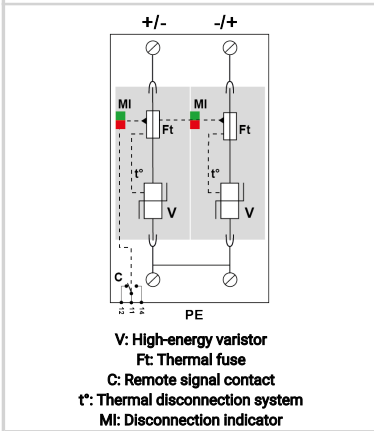
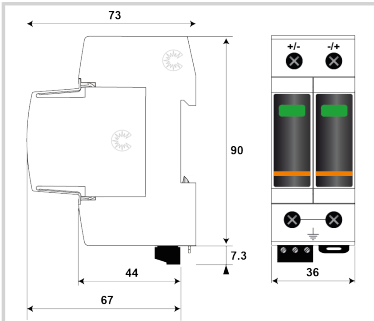
# CITEL

## 1-pole Type 1 and Type 2 SPD for 48 Vdc

### DDC30S-20-85



- ▶ Combined SPD for DC supplies, 2-pole
- ▶ Type 1 + 2
- ▶ In: 15 kA / I<sub>max</sub>: 30 kA
- ▶ I<sub>limp</sub>: 4kA
- ▶ Pluggable module
- ▶ Remote signaling
- ▶ prIEC 61643-41 compliance



#### Electrical Characteristics

SPD type	IEC	1+2
Nominal DC voltage	Un-dc	75 Vdc
Max. AC operating voltage	Uc	60 Vac
Max. DC operating voltage	Uc	85 Vdc
Residual Current		
Leakage current to Ground	I <sub>pe</sub>	< 0.2 mA
Follow current	I <sub>f</sub>	None
Nominal discharge current	I <sub>n</sub>	20 kA
15 x 8/20 μs impulses		
Max. discharge current	I <sub>max</sub>	30 kA
max. withstand @ 8/20 μs by pole		
Impulse current by pole	I <sub>limp</sub>	4 kA
max. withstand 10/350μs by pole		
Total lightning current	I <sub>total</sub>	8 kA
max. total withstand @ 10/350μs		
Connection mode(s)		+/PE and -/PE
Protection level +/-PE (-/PE)	U <sub>p</sub>	390 V / 780 V
@ I <sub>n</sub> (8/20μs)		
Admissible short-circuit current	I <sub>scrr</sub>	50 000 A

#### Mechanical Characteristics

Technology		MOV
SPD configuration		2-poles
Connection to Network		Srew terminals: 2.5-25mm <sup>2</sup> +/- 1.5-10mm <sup>2</sup>
Mounting		Symmetrical rail 35 mm (EN 60715)
Housing material		Thermoplastic UL94 V-0
Operating temperature	T <sub>u</sub>	-40/+85°C
Protection rating		IP20
Failsafe mode		Disconnection from DC network
Disconnection indicator		2 mechanical indicators - Red/Green
Spare module(s)		MDDC30-85
Remote signaling of disconnection		Output on changeover contact
Wiring for remote signaling		1.5 mm <sup>2</sup> max.
Max. Voltage/Current for remote signaling		250 V / 0.5 A (AC) / 30 V / 3 A (DC)
Dimensions		See diagram - 2TE (EN43880)

#### Disconnectors

Thermal disconnector		Internal
Back-up protection device		50 A min. - 125 A max. - Fuses Type gG

#### Standards

Standards compliance		prIEC 61643-41
----------------------	--	----------------

#### Part number

<b>828110222</b>
------------------

