



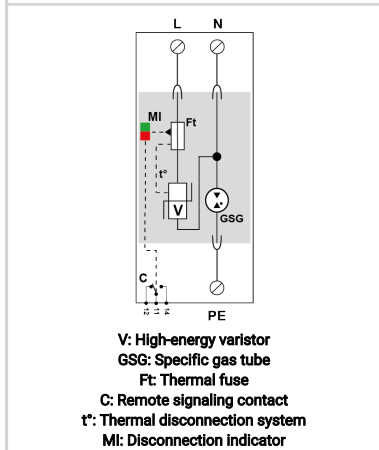
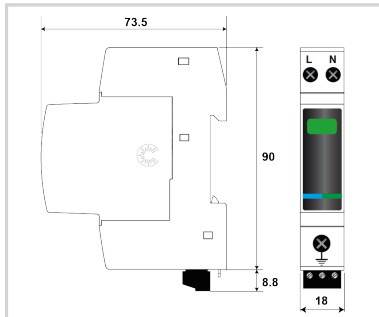
CITEL

Compact 1-phase Type 2 (or 3) surge protector - 230 V - Pluggable

DAC15CS-11-320



- ▶ Compact single-phase Type 2 (or 3) surge protector
- ▶ In : 5 kA
- ▶ Imax : 15 kA
- ▶ Commun/Differential mode
- ▶ Pluggable module
- ▶ Remote signaling
- ▶ EN 61643-11, IEC 61643-11 certified
- ▶ UL1449 ed.5 compliance



| Electrical Characteristics | | |
|--|------------|---|
| SPD type | IEC | 2+3 |
| Network | | 230/400 V |
| AC system | | TT-TN |
| Max. AC operating voltage | Uc | 320 Vac |
| Temporary Over Voltage (TOV) Characteristics - 5 sec. Without disconnection | UT | 335 Vac withstand |
| Temporary Over Voltage (TOV) Characteristics - 120 mn Without disconnection or with safety disconnection | UT | 440 Vac disconnection |
| Temporary Over Voltage N/PE (TOV HT) Without disconnection or with safety disconnection | UT | 1200 V/300A/200 ms withstand |
| Residual Current Leakage current to Ground | Ipe | None |
| Follow current | If | None |
| Nominal discharge current 15 x 8/20 μs impulses | In | 5 kA |
| Max. discharge current max. withstand @ 8/20 μs by pole | Imax | 15 kA |
| Total Maximum discharge current max. total withstand @ 8/20 μs | Imax Total | 30 kA |
| Withstand on Combination waveform IEC 61643-11 Class III test: 1.2/50μs - 8/20μs | Uoc | 10 kV |
| Protection mode(s) | | L/PE and N/PE |
| Protection level N/PE @ In (8/20μs) | Up N/PE | 1.5 kV |
| Protection level @ In (8/20μs) and @ 6 kV (1.2/50 μs) | Up L/N | 1.1 kV |
| Admissible short-circuit current | Iscrr | 10 000 A |
| Mechanical Characteristics | | |
| Technology | | MOV+GDT |
| SPD configuration | | Single phase |
| Connection to Network | | By screw terminals: L/N = 1.5-10mm ² (16mm ² rigid) or PE = 2.5-25mm ² (35mm ² rigid) |
| Format | | Plug-in modular box |
| Mounting | | Symmetrical rail 35 mm (EN 60715) |
| Housing material | | Thermoplastic UL94 V-0 |
| Operating temperature | Tu | -40/+85°C |
| Protection rating | | IP20 |
| Failsafe mode | | Disconnection from AC network |
| Disconnection indicator | | 1 mechanical indicator - Red/Green |
| Spare module(s) | | MDAC15C-11-320 |
| Remote signaling of disconnection | | Output on changeover contact |
| Wiring for remote signaling | | 1.5 mm ² max. |
| Max. Voltage/Current for remote signaling | | 250 V / 0.5 A (AC) / 30 V / 3 A (DC) |
| Dimensions | | See diagram - 1 TE (EN43880) |
| Disconnectors | | |
| Thermal disconnector | | Internal |
| Installation ground fault breaker | | Type 'S' or delayed |
| Back-up protection device | | 20 A min. - 125 A max. - Fuses type gG |
| Standards | | |
| Standards compliance | | IEC 61643-11 / EN 61643-11 / UL1449 ed.5 |



CITEL

Compact 1-phase Type 2 (or 3) surge protector - 230 V - Pluggable

DAC15CS-11-320

| | |
|---------------|-----------|
| Certification | KEMA |
| Part number | 821620321 |

