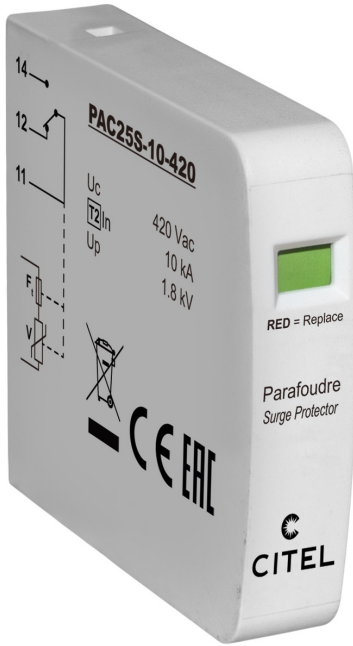




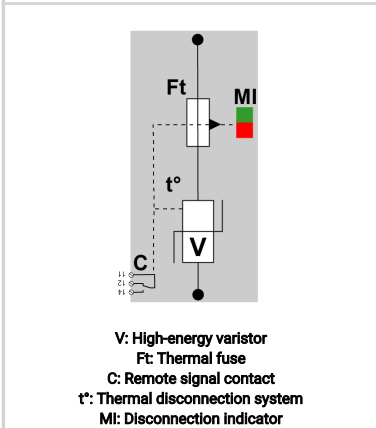
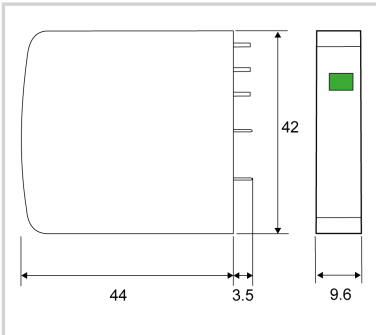
CITEL

Type 2 AC Surge Protector for PCB mounting

PAC25S-10-420



- Type 2 AC surge protector
- PCB mounting
- I_{max}: 25 kA
- Remote signaling
- EN 50539-11 and IEC 61643-31 compliance*



Electrical Characteristics		
SPD type	IEC	2
Max. AC operating voltage	U _c	420 Vac
Nominal discharge current <i>15 x 8/20 μs impulses</i>	I _n	10 kA
Max. discharge current <i>max. withstand @ 8/20 μs by pole</i>	I _{max}	25 kA
Protection level <i>@ I_n (8/20μs)</i>	U _p	1.8 kV
Admissible short-circuit current	I _{sc}	25 000 A
Mechanical Characteristics		
Connection to Network		Through soldering pins
Mounting		On Printed Circuit Board
Housing material		Thermoplastic UL94 V-0
Operating temperature	T _u	-40/+85°C
Protection rating		IP20
Disconnection indicator		1 mechanical indicator
Remote signaling of disconnection		Output on changeover contact
Dimensions		9.6 mm
Disconnectors		
Thermal disconnector		Internal
Standards		
Standards compliance		EN 61643-11 / IEC 61643-11 *The standard cover devices. PPV /PAC series are components. Compliant when combined is an assembly.
Part number		
8711201		

