



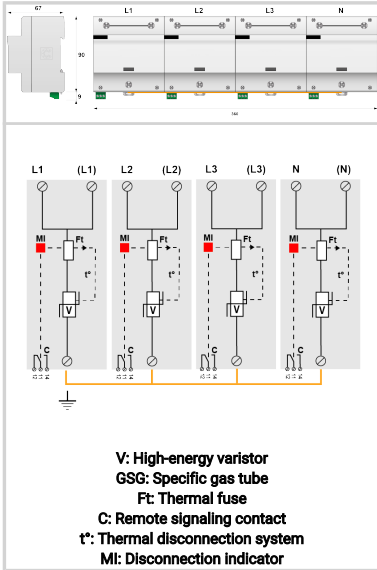
CITEL

Type 1+2 AC surge protector - 3-phase+N

DS254VG-1000



- Type 1+2 surge protector
- In : 30 kA
- Iimp : 25 kA
- Low voltage Up
- Internal disconnection, status indicator
- Remote signaling
- IEC 61643-11, EN 61643-11 and UL1449 ed4 compliance



Electrical Characteristics		
SPD type	IEC	1+2+3
Network		1000 V 3-phase
AC system		TNS
Nominal line voltage	Un	900 V
Max. AC operating voltage	Uc	1000 Vac
Max. load current @25°C	IL	100 A
Temporary Over Voltage (TOV) Characteristics - 5 sec. <i>Without disconnection</i>	UT	1320 Vac withstand
Temporary Over Voltage (TOV) Characteristics - 120 mn <i>Without disconnection or with safety disconnection</i>	UT	1732 Vac withstand
Residual Current <i>Leakage current to Ground</i>	Ipe	None
Follow current	If	None
Nominal discharge current <i>15 x 8/20 µs impulses</i>	In	30 kA
Max. discharge current <i>max. withstand @ 8/20 µs by pole</i>	I _{max}	60 kA
Total Maximum discharge current <i>max. total withstand @ 8/20 µs</i>	I _{max} Total	240 kA
Impulse current by pole <i>max. withstand 10/350µs by pole</i>	I _{imp}	25 kA
Total lightning current <i>max. total withstand @ 10/350µs</i>	I _{total}	100 kA
Withstand on Combination waveform IEC 61643-11 <i>Class III test: 1.2/50µs - 8/20µs</i>	Uoc	6 kV
Specific energy by pole <i>max. withstand 10/350 µs</i>	W/R	156 kJ/ohm
Protection level <i>@ In (8/20µs)</i>	Up	4.0 kV
Residual voltage at 5 kA <i>@ 5 kA (8/20µs)</i>	Up-5kA	2.6 kV
Admissible short-circuit current	I _{scrr}	50 000 A
Mechanical Characteristics		
Technology		VG Technology (MOV+GSG)
SPD configuration		3-phase+Neutral
Connection to Network		By screw: 6-35mm ² (50mm ² flexible)
Format		1-pole modular box
Mounting		Symmetrical rail 35 mm (EN 60715)
Housing material		Thermoplastic UL94 V-0
Operating temperature	Tu	-40/+85°C
Protection rating		IP20
Failsafe mode		Disconnection from AC network
Disconnection indicator		1 mechanical indicator
Remote signaling of disconnection		Output on changeover contact
Dimensions		See diagram - 20 TE, DIN 43880
Disconnectors		
Thermal disconnector		Internal
Installation ground fault breaker		Type 'S' or delayed
Back-up protection device		Fuses type gG - 315 A
Standards		
Standards compliance		IEC 61643-11 / EN 61643-11 / UL1449 ed.5
Certification		
Part number		
64015		

