



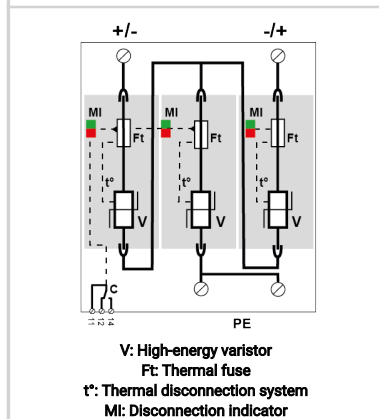
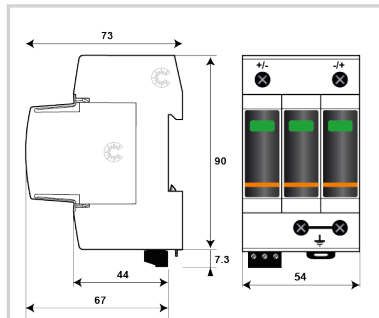
# CITEL

## DC power surge protector

### DDC50S-21Y-800



- DC power Type 2 SPD
- For Energy Storage/EV Charging
- In/Imax: 20/50 kA
- Pluggable modules
- Remote signaling
- prIEC 61643-41 compliance



Electrical Characteristics		
SPD type	IEC	2
Nominal DC voltage	Un-dc	650 Vdc
Max. DC operating voltage	Uc	800 Vdc
Residual Current	Ipe	< 0.2 mA
<i>Leakage current to Ground</i>		
Nominal discharge current	In	20 kA
<i>15 x 8/20 μs impulses</i>		
Max. discharge current	Imax	50 kA
<i>max. withstand @ 8/20 μs by pole</i>		
Impulse current by pole	Iimp	4 kA
<i>max. withstand 10/350μs by pole</i>		
Protection level +/-	Up	2.7 kV
<i>@ In (8/20μs)</i>		
Admissible short-circuit current	Iscsr	100 000 A
Mechanical Characteristics		
Connection to Network		By screw terminals: 2.5-25 mm <sup>2</sup> (35 mm <sup>2</sup> rigid)
Mounting		Symmetrical rail 35 mm (EN 60715)
Housing material		Thermoplastic UL94 V-0
Operating temperature	Tu	-40/+85°C
Protection rating		IP20
Failsafe mode		Disconnection from DC network
Disconnection indicator		1 mechanical indicator by pole - Red/Green
Spare module(s)		MDDC50-800
Remote signaling of disconnection		output on changeover contact
Wiring for remote signaling		1.5 mm <sup>2</sup> max.
Max. Voltage/Current for remote signaling		250 V / 0.5 A (AC) / 30 V / 3 A (DC)
Dimensions		See diagram - 3 TE (EN43880)
APPLICATION		ENERGY STORAGE SYSTEMS (ESS) /EV CHARGING
Disconnectors		
Thermal disconnector		Internal
Back-up protection device		50 A min. (Iscsr 100 kA) - 125 A max. (Iscsr 50 kA) - gBat Fuses
Standards		
Standards compliance		prIEC 61443-41 - IEC61643-11
Environmental standards		EU RoHS
Part number		
<b>828511363</b>		

