



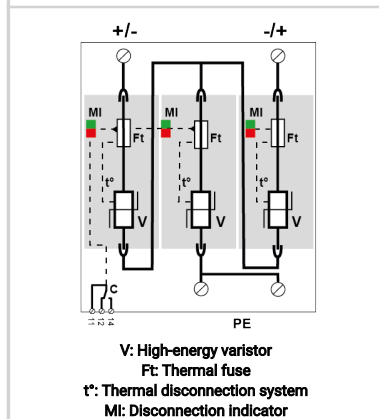
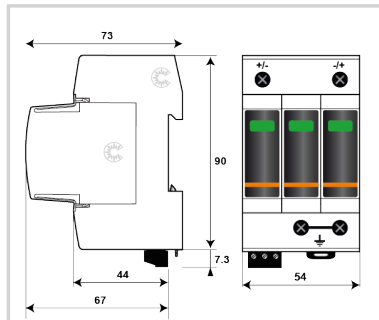
CITEL

DC power surge protector

DDC50S-21Y-500



- DC power Type 2 SPD
- For Energy Storage/EV Charging
- In/Imax: 20/50 kA
- Pluggable modules
- Remote signaling
- prIEC 61643-41 compliance



Electrical Characteristics

SPD type	IEC	2
Nominal DC voltage	Un-dc	450 Vdc
Max. DC operating voltage	Uc	500 Vdc
Residual Current <i>Leakage current to Ground</i>	Ipe	< 0.2 mA
Nominal discharge current <i>15 x 8/20 μs impulses</i>	In	20 kA
Max. discharge current <i>max. withstand @ 8/20 μs by pole</i>	Imax	50 kA
Impulse current by pole <i>max. withstand 10/350μs by pole</i>	Iimp	4 kA
Protection level +/- <i>@ In (8/20μs)</i>	Up	2.1 kV
Admissible short-circuit current	Iscsr	100 000 A

Mechanical Characteristics

Connection to Network		By screw terminals: 2.5-25 mm ² (35 mm ² rigid)
Mounting		Symmetrical rail 35 mm (EN 60715)
Housing material		Thermoplastic UL94 V-0
Operating temperature	Tu	-40/+85°C
Protection rating		IP20
Failsafe mode		Disconnection from DC network
Disconnection indicator		1 mechanical indicator by pole - Red/Green
Spare module(s)		MDDC50-500
Remote signaling of disconnection		output on changeover contact
Wiring for remote signaling		1.5 mm ² max.
Max. Voltage/Current for remote signaling		250 V / 0.5 A (AC) / 30 V / 3 A (DC)
Dimensions		See diagram - 3 TE (EN43880)
APPLICATION		ENERGY STORAGE SYSTEMS (ESS) /EV CHARGING

Disconnectors

Thermal disconnector		Internal
Back-up protection device		50 A min. (Iscsr 100 kA) - 125 A max. (Iscsr 50 kA) - gBat Fuses

Standards

Standards compliance		prIEC 61443-41 - IEC61643-11
Environmental standards		EU RoHS

Part number

828511263

