



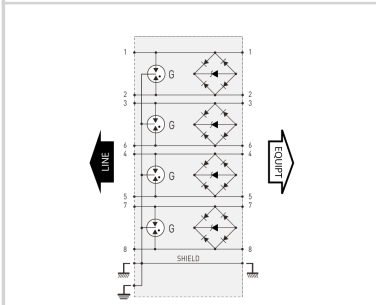
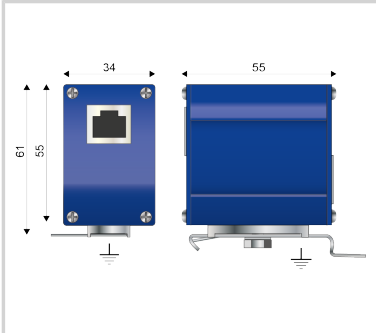
CITEL

RJ45 surge protector for CAT6A cabling network

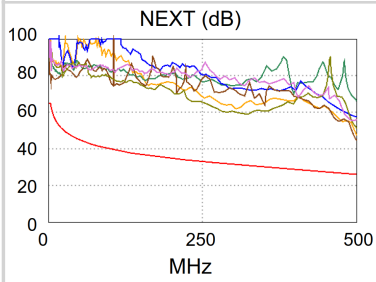
MJ8-C6A



- ▶ 10Gb (5-100m) with Cat6A S/FTP cabling
- ▶ Shielded RJ45 connectors
- ▶ Indoor applications, IP20 (NEMA 2)
- ▶ Metallic enclosure
- ▶ Conforms to IEC/EN 61643-21
- ▶ SPD categories D1, C3, C2, C1



G: 3-electrode GDT



Electrical Characteristics	
Network	10Gb/s on Cat6A S/FTP cabling
Protection modes (network)	CM / DM
Protection modes (POE)	CM / DM (common mode / differential mode)
Transmission standard	IEEE 802.3bt
Lightning Protection Zones (LPZ)	0 - 3
Max. DC operating voltage	Uc 8 Vdc
Max. frequency, in the channel	f max. 500 MHz
Max. data rate	10 Gbps
Max. load current @25°C	IL 2 A
Nominal discharge current <i>C2 (1.2/50µs / 8/20µs), 10 applications X-C (Line/Earth)</i>	In 4 kV / 2 kA
Max. discharge current <i>max. withstand @ 8/20 µs, X-C (Line/Earth)</i>	Imax 2 kA
Max. discharge current <i>max. withstand @ 8/20 µs, 8X-C (1&amp;2&+3&+4&+5&+6&+7&+8 to Earth)</i>	Imax Total 16 kA
Protection Level <i>C3 (10/1000µs), 300 applications@10 A, Y-Y (Line/Line)</i>	Up < 20 V
Protection Level <i>C3 (10/1000µs), 300 applications@10 A, Y-C (Line/Earth)</i>	Up < 500 V
Impulse current <i>D1 (10/350µs), 2 applications, X-C (Line/Earth)</i>	Iimp 400 A
Line resistance (± 10%)	~ 0 ohms
Capacitance <i>@1MHz, X-C (Line/Earth)</i>	C < 5 pF
Mechanical Characteristics	
Technology	GDT+TVS diode
SPD configuration	8 wires+shielded
Connection to Network	RJ45 shielded connectors Female input/output
Format	Metallic Enclosure with connectors input/output
Mounting	DIN rail / Wall / Plate
Accessory(s) provided	Screw, washer, cable shoe, earthing plate, DIN rail adapter
Housing material	Metallic
Operating temperature	Tu -40/+85°C
Ingress Protection rating	IP20 (NEMA 2)
Failsafe mode	Transmission cut-off - Fault mode 2 (short-circuit)
Pinout	(1-2)(3-6)(4-5)(7-8)
Dimensions	See diagram
Standards	
Standards compliance	IEC 61643-21/ EN 61643-21 / UL497B IEEE 802-3af/3at/3bt/ ANSI/TIA-568-C.1
UL Category	QVGG - Isolated Loop Circuit Protectors
UL File Number	E184939
Certification	UL listed
Part number	
581540	

