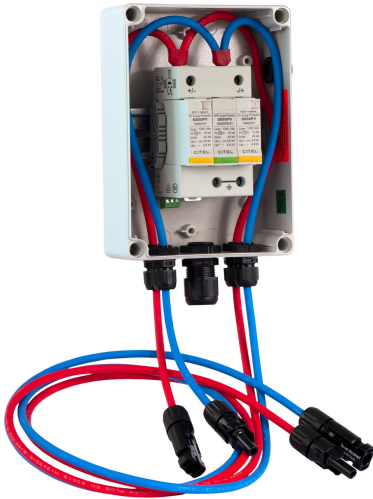




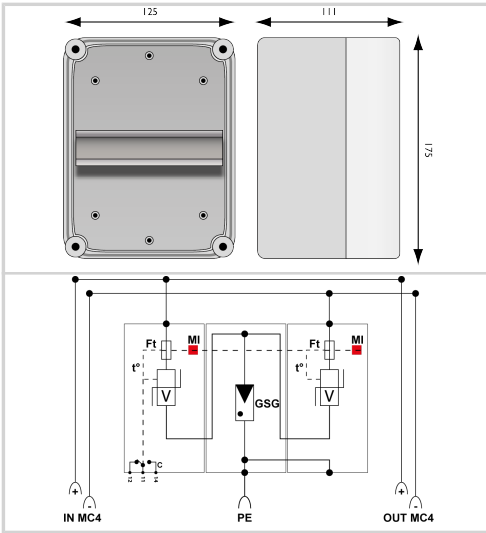
CITEL

PV-DC-Junction box

CiPlug1-51-1



- › Junction box for 1 MPP-Tracker / 1 String
- › Surge protection integrated (DS50PVS-1000G/51, Type 2)
- › Protection rating IP65
- › Connection cables pre-assembled with MC4 connectors



Electrical Characteristics		
SPD type	IEC	2
Network		PV network 1000 Vdc
Nominal DC voltage	Un-dc	1000 Vdc
Max. PV operating voltage	Ucpv	1200 Vdc
Rated insulation voltage	Ui	1000 Vdc
Rated current	InA	20 A
Rated string current	InC	20 A
Mechanical Characteristics		
Housing material		UV and ozone resistant, glass fibre reinforced polycarbonate
Dimensions		See diagram
Input / per MPPT		MC4 plug 1x 6mm ² with 15cm connection cable
Output / per MPPT		MC4-Stecker 1x 6mm ² mit 120cm Anschlussleitung
Ground connection terminal		Screw terminal 2.5-25mm ² (35mm ²)
Cable gland		Metric / 1x M24 (Ø 6-12mm) PE
Housing material		UV and ozone resistant, fiberglass reinforced polycarbonate with semi-transparent cover
Dimensions		WxHxD (mm): 125 x 175 x 111
Ambient temperatures		Indoor: -5°C to max. +40°C (+35°C 24h average) / Outdoor: -25°C to max. +40°C (+35°C 24h average)
Humidity		Indoor: max. 50% at +40°C, max. 90% at 20°C (non-condensing) / Outdoor: 95% for a short time at +25°C (non-condensing)
Protection rating		IP 65
Protection class		Class II
Impact resistance		IK 8
Pressure compensation element		Existing
Standards		
Standards compliance		DIN EN 50539-11 / DIN EN IEC 61439-2
Part number		
158554		

