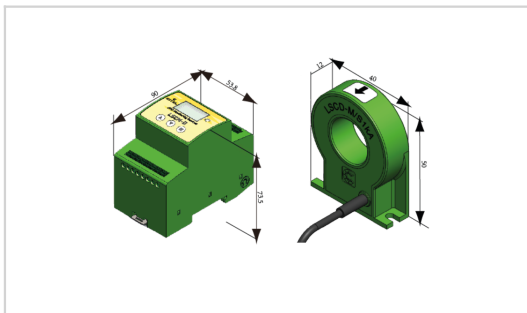


LSCM-D/230AC/P300



- ✦ Lightning and Surge Current Counter & SPD monitoring device
- ✦ Wide surge current detection range:
 - ✦ 0.3/50 kA @8/20µs
 - ✦ 0.3/25 KA @10/350µs
- ✦ Front display for access to recorded events and device parameters
- ✦ Peak current and time stamping recording of the surge currents
- ✦ RS485 communication interface / MODBUS protocol
- ✦ Monitoring features : 2 inputs (SPD or disconnecter status) / 1 ouput
- ✦ IEC 62561-6 compliance



Electrical Characteristics		
Max. AC operating voltage	Uc	230 Vac
Connection mode(s)		2 connection PE ports
Minimum current sensibility	I _{tc}	0.3 kA
Max. admissible impulse current	I _{mcw}	0.3-50 kA (8/20µs) / 0.3-25 kA (10/350 µs)
Mechanical Characteristics		
Wiring		Connection wire sensor : Coaxial-cable AWG26
Mounting		Symmetrical rail 35 mm (EN 60715)
Housing material		Thermoplastic UL94 V-0
Operating and storage temperature		-20/+60°C / -25 /+70°C
Protection rating		IP20
Connection		- Counter : Spring-cage terminals - Sensor : Plug-in (1 sensor line port)
Remote signaling of disconnection		Two channel to input switching signal and one channel of output switching signal
Display		128*64 lattice OLED display, green/red status LED display
Dimensions		See diagram
Weight		0.216 kg
Standards		
Standards compliance		EN 62561-6
Part number		
793533		