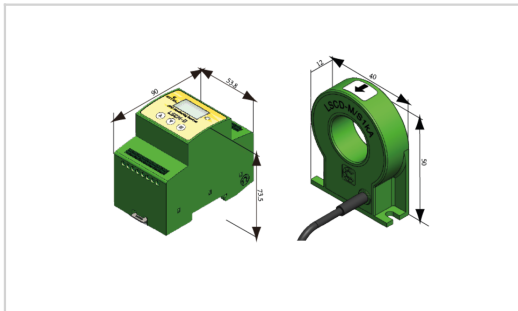


LSCM-D/230AC/P1000



- ✦ Lightning and Surge Current Counter & SPD monitoring device
- ✦ Wide surge current detection range:
  - ✦ 1/100 kA @8/20  $\mu$ s
  - ✦ 1/50 kA @10/350 $\mu$ s
- ✦ Front display for access to recorded events and device parameters
- ✦ Peak current and time stamping recording of the surge currents
- ✦ RS485 communication interface / MODBUS protocol
- ✦ Monitoring features : 2 inputs (SPD or disconnector status) / 1 output
- ✦ IEC 62561-6 compliance



Electrical Characteristics		
Max. AC operating voltage	Uc	230 Vac
Connection mode(s)		2 connection PE ports
Minimum current sensibility	I <sub>tc</sub>	1000 A
Max. admissible impulse current	I <sub>mcw</sub>	1-100 kA (8/20 $\mu$ s) / 1-50 kA (10/350 $\mu$ s)
Mechanical Characteristics		
Wiring		Connection wire sensor : Coaxial-cable AWG26
Mounting		Symmetrical rail 35 mm (EN 60715)
Housing material		Thermoplastic UL94 V-0
Protection rating		IP20
Connection		- Counter : Spring-cage terminals - Sensor : Plug-in (1 sensor line port)
Remote signaling of disconnection		Two channel to input switching signal and one channel of output switching signal
Display		128*64 lattice OLED display, green/red status LED display
Dimensions		See diagram
Weight		0.216 kg
Standards		
Standards compliance		EN 62561-6
Part number		
793534		