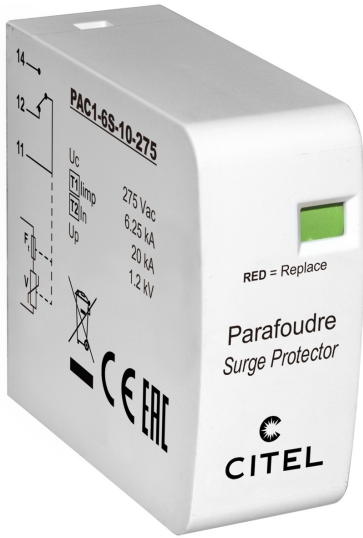




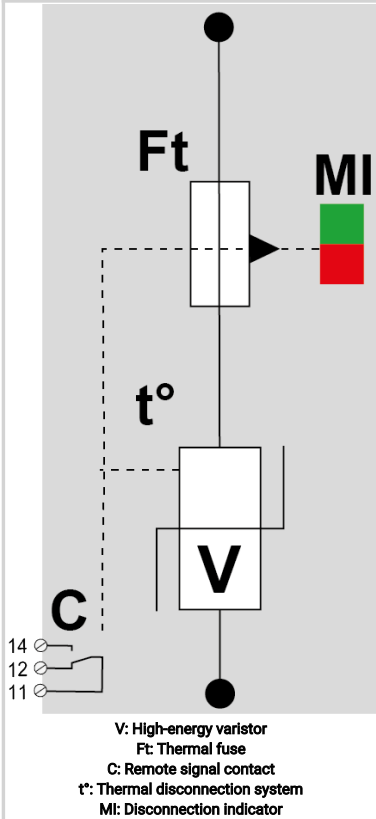
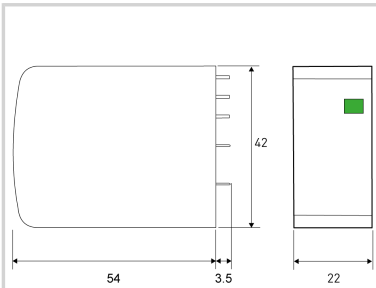
CITEL

Type 1 AC Surge Protector for PCB mounting

PAC1-6S-10-275



- Type 1+2 AC surge protector
- PCB mounting
- MOV technology
- Iimp: 6,25 kV
- Remote signaling
- IEC 61643-31 and EN 61643-11 compliance*



Electrical Characteristics		
SPD type	IEC	1+2
Max. AC operating voltage	Uc	275 Vac
Nominal discharge current <i>15 x 8/20 μs impulses</i>	In	20 kA
Impulse current by pole <i>max. withstand 10/350 μs by pole</i>	Iimp	6.25 kA
Protection level <i>@ In (8/20 μs)</i>	Up	1.2 kV
Admissible short-circuit current	Iscrc	25 000 A
Mechanical Characteristics		
Connection to Network		Through soldering pins
Mounting		On Printed Circuit Board
Housing material		Thermoplastic UL94 V-0
Operating temperature	Tu	-40/+85°C
Protection rating		IP20
Disconnection indicator		1 mechanical indicator
Remote signaling of disconnection		Output on changeover contact
Dimensions		See diagram
Disconnectors		
Thermal disconnector		Internal
Back-up protection device		Without
Standards		
Standards compliance		EN 61643-11 / IEC 61643-11 *The standard cover devices. PPV /PAC series are components. Compliant when combined is an assembly.
Part number		
8713207		

