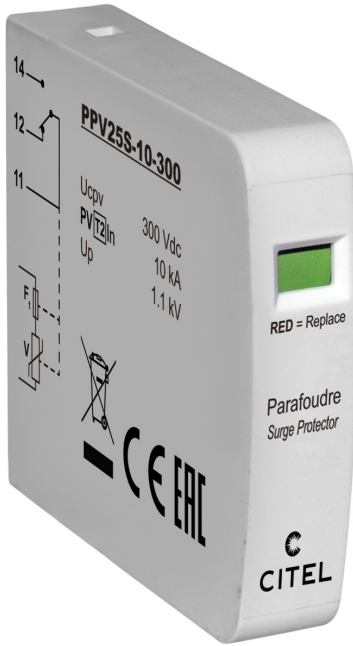




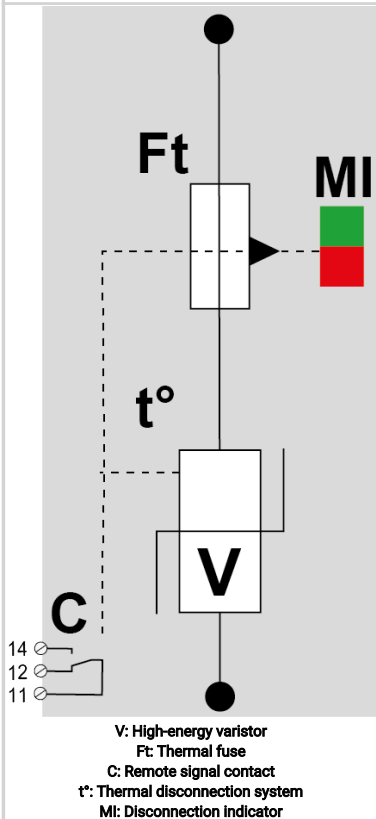
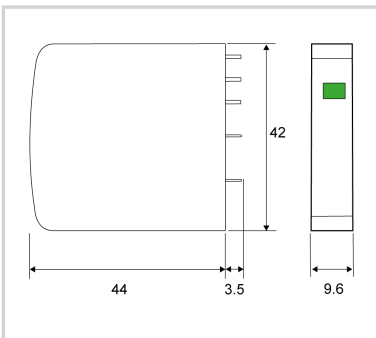
CITEL

Type 2 PV Surge Protector for PCB mounting

PPV25S-10-300



- Type 2 surge protector for Photovoltaic
- PCB mounting
- I_{max}: 25 kA
- Remote signaling
- EN 50539-11 and IEC 61643-31 compliance*



Electrical Characteristics

SPD type	IEC	2
Nominal PV voltage	Uocstc	600 Vdc
Max. PV operating voltage	Ucpv	300 Vdc
Max. PV operating voltage (star mounting)	Ucpv	600 Vdc
Residual Current <i>Leakage current to Ground</i>	I _{pe}	None
PV Permanent Operating current <i>Current consumption at Ucpv</i>	I _{cpv}	< 0.1 mA
Follow current	I _f	None
Nominal discharge current <i>15 x 8/20 μs impulses</i>	I _n	10 kA
Max. discharge current <i>max. withstand @ 8/20 μs by pole</i>	I _{max}	25 kA
Current withstand short circuit PV	I _{scpv}	15 000 A
Connection mode(s)		+/-/PE
Protection mode(s)		Common/Differential mode
Protection level <i>@ In (8/20 μs)</i>	U _p	1.1 kV
Protection level (star mounting) <i>(+/-) / (+/-PE or -/PE) @ In (8/20 μs)</i>	U _p	2.2 kV
Protection level +/- <i>@ In (8/20 μs)</i>	U _p	5.1 kV
Protection level +/-PE (-/PE) <i>@ In (8/20 μs)</i>	U _p	2.5 kV

Mechanical Characteristics

Technology		MOV
Connection to Network		Through soldering pins
Format		Plug-in modular box
Mounting		On Printed Circuit Board
Housing material		Thermoplastic UL94 V-0
Operating temperature	T _u	-40/+85°C
Protection rating		IP20
Failsafe mode		Disconnection SPD of the PV line
Disconnection indicator		1 mechanical indicator
Spare module(s)		DSM50PV-600
Remote signaling of disconnection		Output on changeover contact
Dimensions		See diagram

Disconnectors

Thermal disconnector		Internal
Back-up protection device		Without

Standards

Standards compliance		IEC 61643-31 / EN 50539-11 *The standard cover devices. PPV /PAC series are components. Compliant when combined is an assembly.
----------------------	--	---

Part number

8721210

