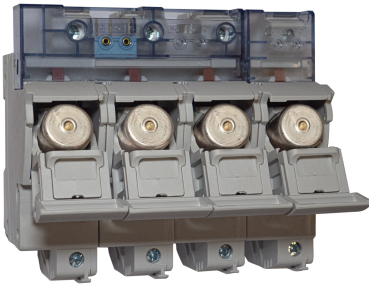




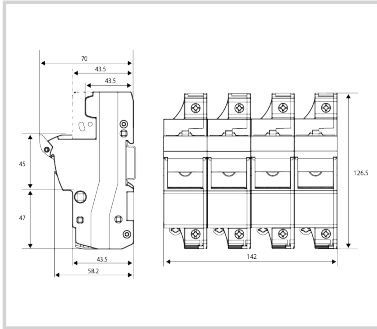
CITEL

Fuses+holders for protection of 3-phase+N Type 1 AC SPD

SFD1-25S-40



- Specific Fuses (SPD Fusing Disconnectors) for short circuit protection of AC SPD
- For Type 1 SPD
- Surge current withstand: 25 kA (@10/350µs)
- Very compact
- Included fuses
- Remote signaling and status signaling



| Electrical Characteristics | | |
|---|------------------|--|
| AC system | | IT-TN |
| Max. AC operating voltage | Uc | 500 Vac |
| Nominal discharge current <i>15 x 8/20 µs impulses</i> | In | 80 kA |
| Max. discharge current <i>max. withstand @ 8/20 µs by pole</i> | I _{max} | 100 kA |
| Impulse current by pole <i>max. withstand 10/350µs by pole</i> | I _{imp} | 25 kA |
| Equivalent rated AC current | | 250 A |
| Breaking capacity | | 100 000 A |
| Residual voltage | Up | < 0.5 kV @ 25 kA |
| Mechanical Characteristics | | |
| Fuse configuration | | Cylindrical 22x58 mm |
| Mounting | | Symmetrical rail 35 mm (EN 60715) |
| Accessory(s) provided | | Fuse(s) included |
| Operating temperature | Tu | -40/+85°C |
| Protection rating | | IP20 |
| Disconnection indicator | | Striker |
| Spare module(s) | | SFD1-25 |
| Remote signaling of disconnection | | Yes |
| Dimensions | | See diagram |
| Standards | | |
| Standards compliance | | EN 61643-11 /IEC 61643-11 /EN 60269-1/EN 60269-2/IEC 60269-1/IEC 60269-2 |
| Part number | | |
| 64057 | | |

