



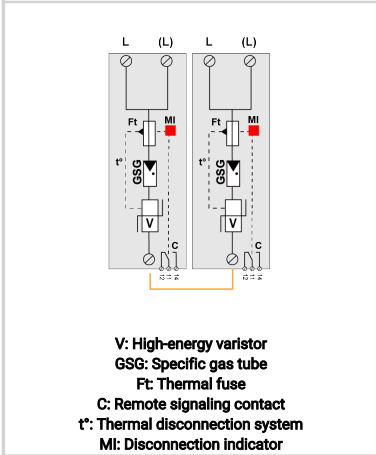
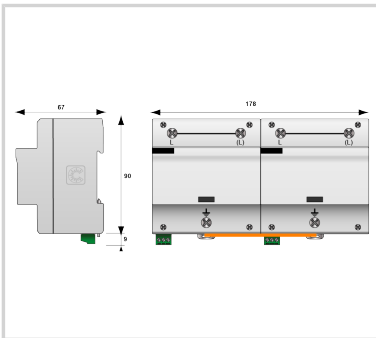
CITEL

Type 1+2 AC surge protector - 3-phase+N

DS252VG-690



- Type 1+2 surge protector
- For 400/690 V network
- In: 30 kA
- Iimp: 25 kA
- Low voltage Up
- Internal disconnection, status indicator
- Remote signaling
- IEC 61643-11, EN 61643-11 and UL1449 ed.5 compliance



Electrical Characteristics		
SPD type	IEC	1+2+3
Network		400/690 Vac Single-phase
AC system		TN
Nominal line voltage	Un	690 Vac
Max. AC operating voltage	Uc	760 Vac
Max. load current <i>if series connection</i>	IL	100 A
Temporary Over Voltage (TOV) Characteristics - 5 sec. <i>Without disconnection</i>	UT	1050 Vac withstand
Temporary Over Voltage (TOV) Characteristics - 120 mn <i>Without disconnection or with safety disconnection</i>	UT	1350 Vac withstand
Residual Current <i>Leakage current to Ground</i>	Ipe	None
Follow current	If	None
Nominal discharge current <i>15 x 8/20 μs impulses</i>	In	30 kA
Max. discharge current <i>max. withstand @ 8/20 μs by pole</i>	I _{max}	100 kA
Impulse current by pole <i>max. withstand 10/350 μs by pole</i>	I _{imp}	25 kA
Withstand on overvoltages IEEE C62.41.1		20 kV
Specific energy by pole <i>max. withstand 10/350 μs</i>	W/R	156 kJ/ohm
Connection mode(s)		L/N or L/PE
Protection mode(s)		Common Mode or Differential Mode
Protection level L/PE <i>@ In (8/20 μs)</i>	Up L/PE	4 kV
Residual voltage L/PE at 5 kA <i>@ 5 kA (8/20 μs)</i>	Up-5kA	2.6 kV
Admissible short-circuit current	I _{sc}	50 000 A
Mechanical Characteristics		
Technology		VG Technology (MOV+GSG)
SPD configuration		Single phase
Connection to Network		By screw: 6-35mm ² (50mm ² flexible)
Format		1-pole modular box
Mounting		Symmetrical rail 35 mm (EN 60715)
Housing material		Thermoplastic UL94 V-0
Operating temperature	Tu	-40/+85°C
Protection rating		IP20
Failsafe mode		Disconnection from AC network
Disconnection indicator		1 mechanical indicator
Remote signaling of disconnection		Output on changeover contact
Dimensions		See diagram
Disconnectors		
Thermal disconnector		Internal
Installation ground fault breaker		Type 'S' or delayed
Back-up protection device		Fuses type gG - 315 A
Standards		
Standards compliance		IEC 61643-11 / EN 61643-11 / UL1449 ed.5
Certification		
Part number		
64012		

