



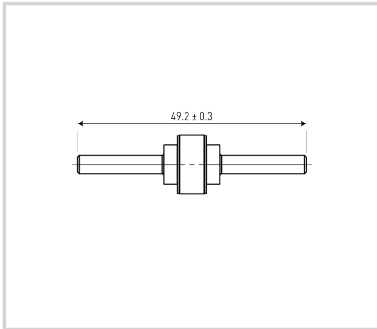
CITEL

Isolating spark gap (ISG)

BF P100 800/20



- › Isolating spark gap
- › Outdoor application
- › Max. discharge current: 100 kA
- › EN 62561-3 compliance



Electrical Characteristics

Rated DC withstand voltage	Uw DC	640 V
Rated AC withstand voltage	Uw AC	450 V
Max. discharge current <i>max. withstand @ 8/20 μs by pole</i>	I _{max}	100 kA
Impulse current by pole <i>max. withstand 10/350 μs by pole</i>	I _{imp}	50 kA
Classification following IEC 62561-3		N
Rated impulse sparkover voltage <i>1kV/μs</i>	U _{r limp}	1600 V

Mechanical Characteristics

Technology		Gas discharge tube
Operating temperature	T _u	-40/+85°C
Protection rating		IP67
Number of units per package		20 units per cardboard
Dimensions		See diagram

Standards

Standards compliance		EN 62561-3
RoHS compliance		Yes

Part number

90231395

