

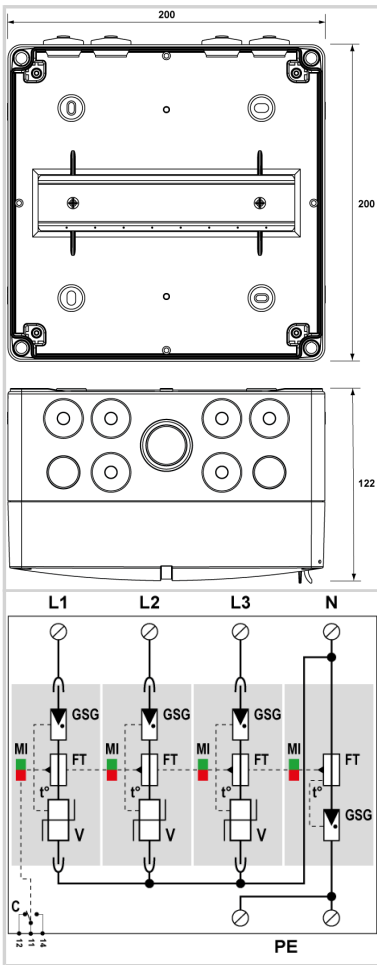


AK1.K5x10.K5x10.50VGS-31-275

CITEL



- Universal small housing for individual cable entry with consideration of practical cross-sections
- Internal terminal design allows spur or V-wiring (series)
- Suitable for TNS-TT mains types
- Integrated DAC50VGS-31-275
- Type 2+3 combined arrester based on a gas-filled spark gap
- Discharge capacity per pole: $I_n=20kA (8/20\mu s)$; $I_{max}=50kA (8/20\mu s)$
- Pluggable protection modules
- Remote signalling as standard



| Electrical Characteristics | | |
|---|-----|---|
| SPD type | IEC | 2+3 |
| Nominal line voltage | Un | 230/400 Vac |
| Max. AC operating voltage | Uc | 275 Vac |
| Max. load current if series connection | IL | bis 59 A (Verlegeart beachten) |
| Surge protection device | | DAC50VGS-31-275 (internally pre-wired) |
| Nominal frequency | fn | 0-100 Hz |
| Mechanical Characteristics | | |
| Housing material | | Thermoplastic UL94 V-0 |
| Protection rating | | IP65 |
| Dimensions | | See diagram - 3 TE (EN43880) |
| Entrance | | Direct connection to SPD, V wiring max. 10mm ² (re)* |
| Outgoing | | Direct connection to SPD, V-Wiring max. 10mm ² (re)* |
| Earth connection terminal | | Direct connection to SPD, V-Wiring max. 10mm ² (re or rm) |
| Ambient temperature | | -25°C bis +40°C / 24h up to max. 35°C |
| Cable gland | | Double diaphragm connector Cable glands M20 / M25 / M32 |
| Humidity | | Relative humidity (25°C) 5% to 95% / Max. relative air humidity (40°C) 50%. |
| Shock resistance | | IK 08 |
| Standards | | |
| Standards compliance | | IEC 61643-11 |
| Part number | | |
| 159144 | | |

