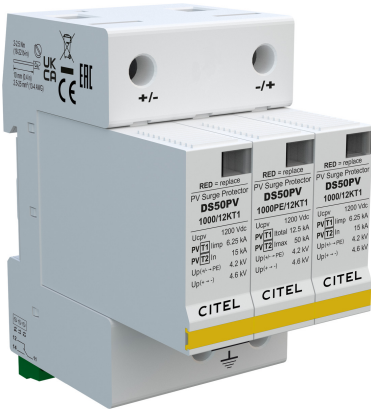


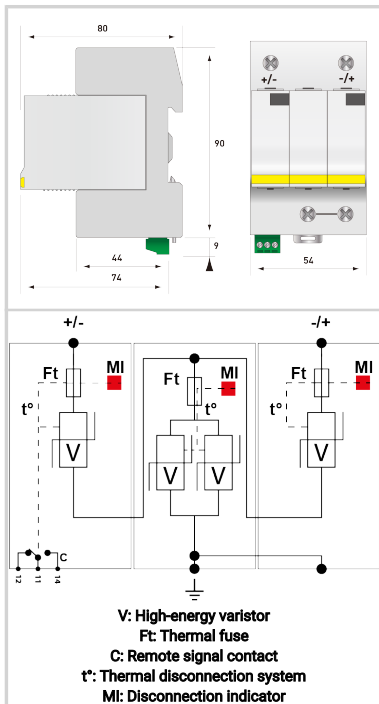


# CITEL



## DS50PVS-1000/12KT1

- Type 1+2 surge protector for Photovoltaic
- Impulse currents  $I_{imp}/I_{total}$ : 6.25/12.5 kA (10/350 $\mu$ s)
- Common/Differential mode protection
- Remote signaling
- UL1449 ed.5 compliance
- IEC 61643-31, EN 61643-31 certify



| Electrical Characteristics   |                    |  |
|--|--------------------|--|
| SPD type   | IEC                | 1+2  |
| Network  |                    | PV network 1000 Vdc                                    |
| Nominal PV voltage   | Uocstc             | 1000 Vdc   |
| Max. PV operating voltage  | Ucpv               | 1200 Vdc   |
| Residual Current<br><i>Leakage current to Ground</i>                             | Ipe                | None   |
| PV Permanent Operating current<br><i>Current consumption at Ucpv</i>             | Icpv               | < 0.1 mA   |
| Follow current   | If                 | None   |
| Nominal discharge current<br><i>15 x 8/20 <math>\mu</math>s impulses</i>         | In                 | 15 kA  |
| Max. discharge current<br><i>max. withstand @ 8/20 <math>\mu</math>s by pole</i> | I <sub>max</sub>   | 40 kA  |
| Impulse current by pole<br><i>max. withstand 10/350<math>\mu</math>s by pole</i> | I <sub>imp</sub>   | 6.25 kA  |
| Total lightning current<br><i>max. total withstand @ 10/350<math>\mu</math>s</i> | I <sub>total</sub> | 12.5 kA  |
| Current withstand short circuit PV   | Iscpv              | 15 000 A   |
| Connection mode(s)   |                    | +/-/PE   |
| Protection mode(s)   |                    | Common/Differential mode                               |
| Protection level +/-<br><i>@ In (8/20<math>\mu</math>s)</i>                      | Up                 | 4.8 kV   |
| Protection level +/-PE (-/PE)<br><i>@ In (8/20<math>\mu</math>s)</i>             | Up                 | 4.2 kV   |
| Mechanical Characteristics   |                    |  |
| Technology   |                    | MOV  |
| Connection to Network  |                    | By screw terminals: 2.5-25mm <sup>2</sup>              |
| Format   |                    | Plug-in modular box                                    |
| Mounting   |                    | Symmetrical rail 35 mm (EN 60715)                      |
| Housing material   |                    | Thermoplastic UL94 V-0                                 |
| Operating temperature  | Tu                 | -40/+85°C  |
| Protection rating  |                    | IP20   |
| Disconnection indicator  |                    | 3 mechanical indicators                                |
| Spare module(s)  |                    | DSM50PV-1000/12KT1 + DSM50PV-1000PE/12KT1              |
| Remote signaling of disconnection  |                    | Output on changeover contact                           |
| Dimensions   |                    | See diagram  |
| Disconnectors  |                    |  |
| Thermal disconnector   |                    | Internal   |
| Back-up protection device  |                    | Without  |
| Standards  |                    |  |
| Standards compliance   |                    | IEC 61643-31 / EN 61643-31 / EN 50539-11 / UL1449 ed.5 |
| Certification  |                    | TUV  |
| Part number  |                    |  |
| 482371   |                    |  |

