



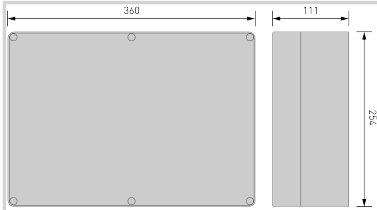
CITEL

PV-DC-Junction box

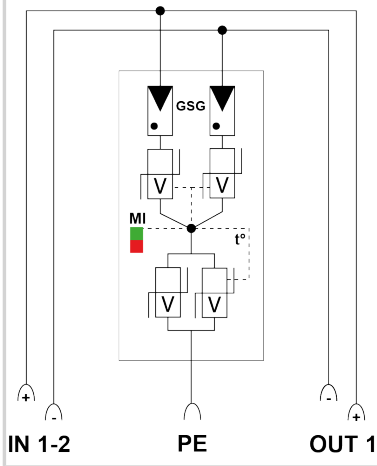
GAK4.K2x10.K1x10.DP6VG-1-XS



- › PV junction box for 4 MPP trackers / 2 strings
- › Integrated surge protection (4x DPVN1-6CVG-21Y-1200)
- › Protection class IP65
- › Connection via spring terminals



Jeweils pro MPP-Tracker



Electrical Characteristics

SPD type	IEC	1+2+3
Network		PV network 1000 Vdc
Nominal DC voltage	Un-dc	1000 Vdc
Rated insulation voltage <i>Ui</i>	<i>Ui</i>	1000 Vdc
Rated current <i>InA</i>	<i>InA</i>	32 A
Rated string current	<i>InC</i>	16 A

Mechanical Characteristics

Input / per MPPT		Spring terminals / 2x 6-10 mm ²
Output / per MPPT		Spring terminal / 1x 6-10mm ²
Ground connection terminal		Screw terminal 6-35mm ²
Cable gland		Metric / 30x M16 (Ø 5-7mm)
Housing material		UV and ozone resistant, fiberglass reinforced polycarbonate with semi-transparent cover
Dimensions		WxHxD (mm): 360 x 254 x 111
Ambient temperatures		Indoor: -5°C to max. +40°C (+35°C 24h average) / Outdoor: -25°C to max. +40°C (+35°C 24h average)
Humidity		Indoor: max. 50% at +40°C, max. 90% at 20°C (non-condensing) / Outdoor: 95% for a short time at +25°C (non-condensing)
Protection rating		IP 65
Protection class		Class II
Impact resistance		IK 8
Pressure compensation element		Existing

Standards

Standards compliance		DIN EN 50539-11 / DIN EN IEC 61439-2
----------------------	--	--------------------------------------

Part number

157409

