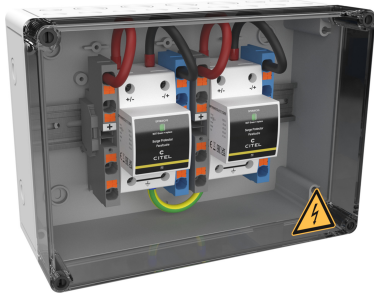




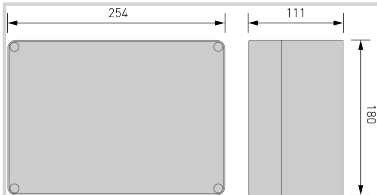
# CITEL



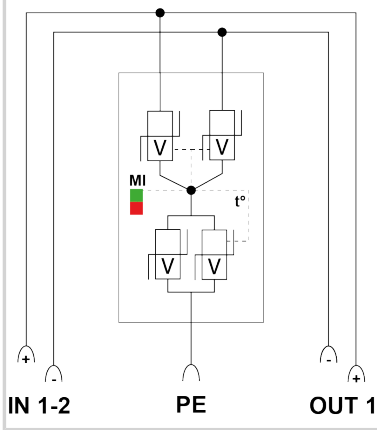
## PV-DC-Junction box

### GAK2.K2x10.K1x10.DP40-1-XS

- › Generator junction box for 2 MPP trackers / 2 strings
- › Integrated surge protection (type 2+3 - DPVN40C-21Y-1200)
- › Protection class IP65
- › Connection via spring-loaded terminals



Jeweils pro MPP-Tracker



#### Electrical Characteristics

SPD type	IEC	2+3
Network		PV network 1000 Vdc
Nominal DC voltage	Un-dc	1000 Vdc
Rated insulation voltage <i>Ui</i>	Ui	1000 Vdc
Rated current <i>InA</i>	InA	32 A
Rated string current	InC	16 A

#### Mechanical Characteristics

Dimensions		See diagram
Input / per MPPT		Spring terminals / 2x 6-10 mm <sup>2</sup>
Output / per MPPT		Spring terminal / 1x 6-10mm <sup>2</sup>
Ground connection terminal		Screw terminal 6-35mm <sup>2</sup>
Cable gland		14x M16 (Ø 4,5-10 mm)
Housing material		UV and ozone resistant, fiberglass reinforced polycarbonate with semi-transparent cover
Dimensions		WxHxD (mm): 254 x 180 x 111
Ambient temperatures		Indoor: -5°C to max. +40°C (+35°C 24h average) / Outdoor: -25°C to max. +40°C (+35°C 24h average)
Humidity		Indoor: max. 50% at +40°C, max. 90% at 20°C (non-condensing) / Outdoor: 95% for a short time at +25°C (non-condensing)
Protection rating		IP 65
Protection class		Class II
Impact resistance		IK 8
Pressure compensation element		Existing

#### Standards

Standards compliance		DIN EN 50539-11 / DIN EN IEC 61439-2
----------------------	--	--------------------------------------

#### Part number

157206

