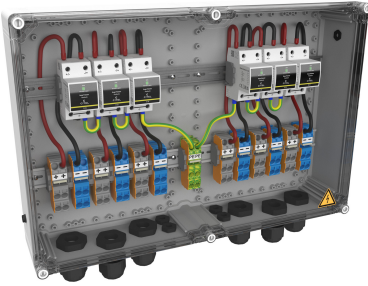




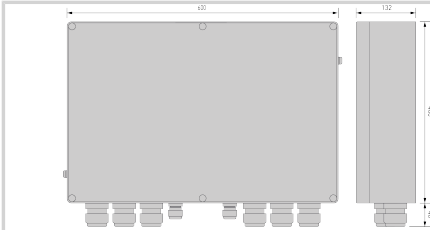
CITEL

PV-DC-Junction box

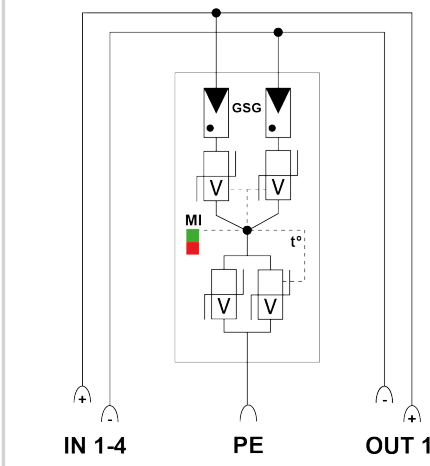
GAK6.K4x16.K1x16.DP6VG-1-XS



- › Generator junction box for 6 MPP trackers / 4 strings
- › Integrated surge protection (type 1+2+3 - DPVN1-6CVG-21Y-1200)
- › Protection class IP65
- › Connection via spring terminals
- › Screw connections permanently installed



Jeweils pro MPP-Tracker



Electrical Characteristics		
SPD type	IEC	1+2+3
Network		PV network 1000 Vdc
Nominal DC voltage	Un-dc	1000 Vdc
Rated insulation voltage <i>Ui</i>	Ui	1000 Vdc
Rated current <i>InA</i>	InA	50 A
Rated string current	InC	25 A
Mechanical Characteristics		
Housing material		UV and ozone resistant, glass fibre reinforced polycarbonate
Dimensions		See diagram
Input / per MPPT		Spring clamp terminals / 4x 6-16mm ²
Output / per MPPT		Spring terminals / 1x 6-16mm ²
Ground connection terminal		Spring clamp terminals / 6-16mm ²
Cable gland		2x M16 (Ø 4,5-10 mm) / 2x M20 (Ø 6-13 mm) / 1x M25 (Ø 9 - 17 mm)
Housing material		UV and ozone resistant, fiberglass reinforced polycarbonate with semi-transparent cover
Dimensions		WxHxD (mm): 130 x 180 x 111
Ambient temperatures		Indoor: -5°C to max. +40°C (+35°C 24h average) / Outdoor: -25°C to max. +40°C (+35°C 24h average)
Humidity		Indoor: max. 50% at +40°C, max. 90% at 20°C (non-condensing) / Outdoor: 95% for a short time at +25°C (non-condensing)
Protection rating		IP 65
Protection class		Class II
Impact resistance		IK 8
Pressure compensation element		Existing
Standards		
Standards compliance		DIN EN 50539-11 / DIN EN IEC 61439-2
Part number		
157609		

