



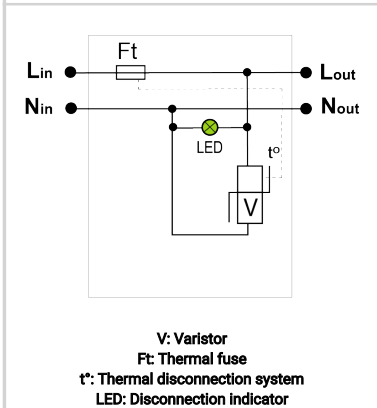
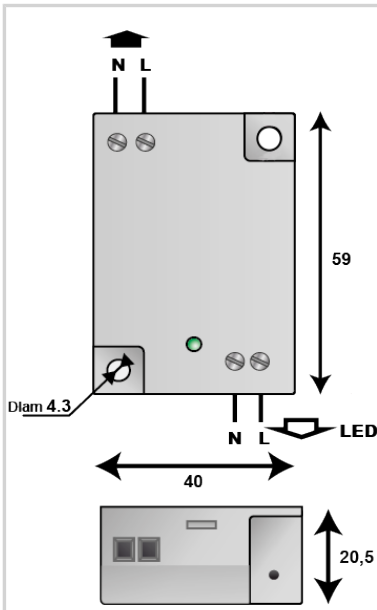
# CITEL

## Electrostatic protector for Class II LED lighting system

### MLPC2-277L-V



- Type 2 (or 3) surge protectors for LED
- Class 2
- Very compact
- Plate mounting
- Screw terminal connection
- Status indicator
- Disconnection AC end of life
- EN 61643-11 compliance



Electrical Characteristics		
SPD type	IEC	2+3
Network		120-277 V Single-phase
AC system		TT-TN
Max. AC operating voltage	Uc	320 Vac
Max. load current @25°C	IL	5 A
Temporary Over Voltage (TOV) Characteristics - 5 sec. Without disconnection	UT	335 Vac withstand
Temporary Over Voltage (TOV) Characteristics - 120 mn Without disconnection or with safety disconnection	UT	440 Vac disconnection
Residual Current Leakage current to Ground	Ipe	None
Nominal discharge current 15 x 8/20 μs impulses	In	5 kA
Max. discharge current max. withstand @ 8/20 μs by pole	I <sub>max</sub>	10 kA
Total Maximum discharge current max. total withstand @ 8/20 μs	I <sub>max</sub> Total	20 kA
Withstand on Combination waveform IEC 61643-11 Class III test: 1.2/50μs - 8/20μs	Uoc	10 kV
Withstand on overvoltages IEEE C62.41.1		10 kV / 10 kA
Protection level @ In (8/20μs)	Up	1.8 kV
Admissible short-circuit current	I <sub>sc</sub>	10 000 A
Mechanical Characteristics		
Connection to Network		1 screw contact single side in/out - wire 2.5mm <sup>2</sup> max.
Mounting		On plate
Housing material		Thermoplastic UL94 V-0
Operating temperature	Tu	-40/+85°C
Protection rating		IP20
Failsafe mode		Disconnection and AC line cut-off
Disconnection indicator		LED green OFF and AC network cut-off
Operating indicator		Green Led ON
Dimensions		See diagram
Disconnectors		
Thermal disconnector		Internal
Installation ground fault breaker		Type 'S' or delayed
Standards		
Standards compliance		EN 61643-11 / IEC 61643-11
Certification		TUV
Part number		
<b>832321</b>		

