



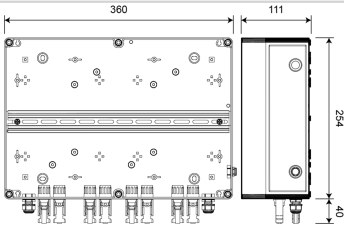
CITEL

PV-DC-Junction box

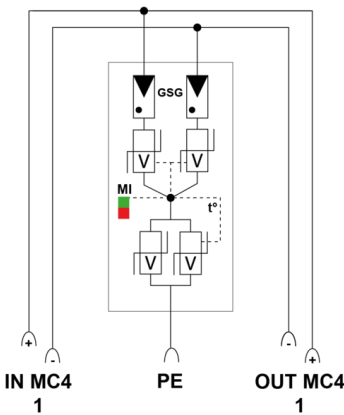
CiPlug4-MCx1.MCx1-DP6VG-1-XS



- ✦ Junction box for 1 MPP-Tracker / 1 String
- ✦ Surge protection integrated
- ✦ Protection rating IP65
- ✦ Connection cables pre-assembled with MC4 connectors



Jewells pro MPP-Tracker



Electrical Characteristics

SPD type	IEC	1+2+3
Network		PV network 1000 Vdc
Nominal DC voltage	Un-dc	1000 Vdc
Rated insulation voltage	Ui	1000 Vdc
Rated current	InA	20 A
Rated string current	InC	20 A

Mechanical Characteristics

Housing material		UV and ozone resistant, glass fibre reinforced polycarbonate
Dimensions		See diagram
Input / per MPPT		MC4 plug (attached to the housing base)
Output / per MPPT		MC4 plug (attached to the housing base)
Ground connection terminal		Screw terminal 2.5-25mm ² (35mm ²)
Cable gland		Metric / 1x M24 (Ø 6-12mm) PE
Housing material		UV and ozone resistant, fiberglass reinforced polycarbonate with semi-transparent cover
Dimensions		WxHxD (mm): 360 x 254 x 111
Ambient temperatures		Indoor: -5°C to max. +40°C (+35°C 24h average) / Outdoor: -25°C to max. +40°C (+35°C 24h average)
Humidity		Indoor: max. 50% at +40°C, max. 90% at 20°C (non-condensing) / Outdoor: 95% for a short time at +25°C (non-condensing)
Protection rating		IP 65
Protection class		Class II
Impact resistance		IK 8
Pressure compensation element		Existing

Standards

Standards compliance		DIN EN 50539-11 / DIN EN IEC 61439-2
----------------------	--	--------------------------------------

Part number

Part number		156645
-------------	--	--------

