



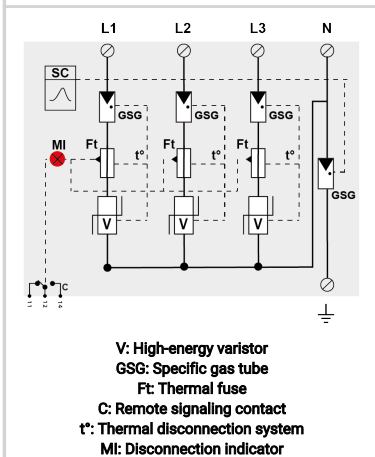
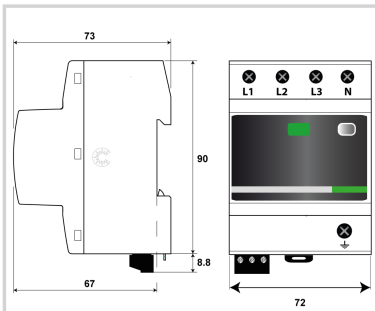
CITEL

Type 1+2+3 AC surge protector - 3-phase+N - With Surge Counter integrated

DACN1-25CVGS-31-385/SC



- Type 1 + 2+3 AC surge protector
- VG Technology
- Iimp: 25 kA on 10/350µs impulse
- In: 25 kA
- Optimized to TOV
- No leakage current
- Monobloc
- Remote signaling
- EN 61643-11, IEC 61643-11 Certified



Electrical Characteristics

| SPD type | IEC | 1+2+3 |
|--|------------|------------------------------|
| Network | | 480 V 3-phase |
| AC system | | TT-TNS |
| Max. AC operating voltage | Uc | 385 Vac |
| Temporary Over Voltage (TOV) Characteristics - 5 sec. Without disconnection | UT | 500 Vac withstand |
| Temporary Over Voltage (TOV) Characteristics - 120 mn Without disconnection or with safety disconnection | UT | 650 Vac disconnection |
| Temporary Over Voltage N/PE (TOV HT) Without disconnection or with safety disconnection | UT | 1200 V/300A/200 ms withstand |
| Residual Current | | |
| Leakage current to Ground | Ipe | None |
| Follow current | If | None |
| Nominal discharge current 15 x 8/20 µs impulses | In | 25 kA |
| Nominal discharge current N/PE 15 x 8/20 µs impulses | In N/PE | 100 kA |
| Max. discharge current max. withstand @ 8/20 µs by pole | Imax | 100 kA |
| Max. discharge current N/PE max. withstand @ 8/20 µs by pole | Imax N /PE | 100 kA |
| Impulse current by pole max. withstand 10/350µs by pole | Iimp | 25 kA |
| Total lightning current max. total withstand @ 10/350µs | Itotal | 100 kA |
| Withstand on Combination waveform IEC 61643-11 Class III test: 1.2/50µs - 8/20µs | Uoc | 6 kV |
| Protection level L/N @ In (8/20µs) | Up L/N | 1.5 kV |
| Protection level N/PE @ In (8/20µs) | Up N/PE | 1.5 kV |
| Minimum current sensibility | Itc | 100 A |
| Admissible short-circuit current | Iscrr | 50 000 A |

Mechanical Characteristics

| | | |
|---|----|---|
| Technology | | VG Technology (MOV+GSG) |
| SPD configuration | | 3-phase+Neutral |
| Connection to Network | | By screw terminals: 2.5-25mm ² (35mm ² rigid) |
| Format | | Monobloc modular box |
| Mounting | | Symmetrical rail 35 mm (EN 60715) |
| Housing material | | Thermoplastic UL94 V-0 |
| Operating temperature | Tu | -40/+85°C |
| Protection rating | | IP20 |
| Failsafe mode | | Disconnection from AC network |
| Disconnection indicator | | 1 mechanical indicator - Red/Green |
| Remote signaling of disconnection | | Output on changeover contact |
| Wiring for remote signaling | | 1.5 mm ² max. |
| Max. Voltage/Current for remote signaling | | 250 V / 0.5 A (AC) / 30 V / 3 A (DC) |

Disconnectors

| | | |
|-----------------------------------|--|--|
| Thermal disconnector | | Internal |
| Installation ground fault breaker | | Type 'S' or delayed |
| Back-up protection device | | 315 A max. - Fuses Type gG / or SFD1-25S |

Standards

| | | |
|----------------------|--|----------------------------|
| Standards compliance | | EN 61643-11 / IEC 61643-11 |
| Certification | | KEMA |

Part number

64171

