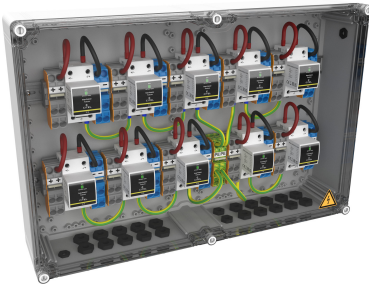




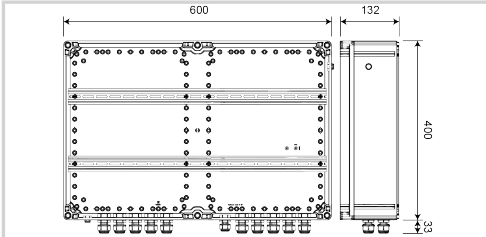
CITEL

PV-DC-Junction box

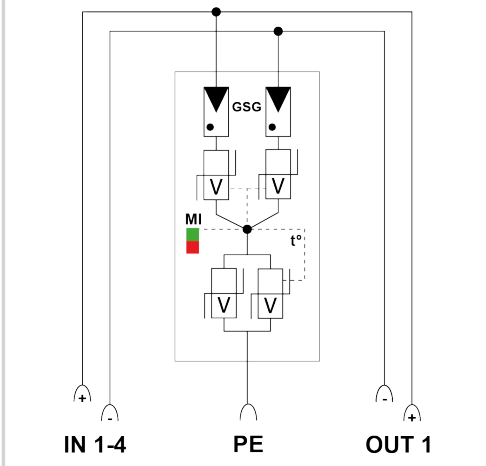
GAK10.K4x16.K1x16.DP6VG-1-XS



- Generator junction box for 10 MPP tracker / 4 strings
- Integrated surge protection device - DPVN1-6CVG-21Y-1200 (Type 1+2+3)
- Protection class IP65
- Connection via spring terminals (6-16mm²)



Jeweils pro MPP-Tracker



Electrical Characteristics		
SPD type	IEC	1+2+3
Network		PV network 1000 Vdc
Nominal DC voltage	Un-dc	1000 Vdc
Max. PV operating voltage	Ucpv	1200 Vdc
Rated insulation voltage <i>Ui</i>	Ui	1000 Vdc
Rated current <i>InA</i>	InA	50 A
Rated string current	InC	25 A
Mechanical Characteristics		
Input / per MPPT		Spring clamp terminals / 4x 6-16mm ²
Output / per MPPT		Spring terminals / 1x 6-16mm ²
Cable gland		Metric / 12x M40 (Ø 16-28mm) / 1x M20 (Ø 6-13mm)
Housing material		UV and ozone resistant, fiberglass reinforced polycarbonate
Dimensions		WxHxD (mm): 130 x 180 x 111
Humidity		Indoor: max. 50% at +40°C, max. 90% at 20°C (non-condensing) / Outdoor: 95% for a short time at +25°C (non-condensing)
Standards		
Standards compliance		DIN EN 50539-11
Part number		
157619		

