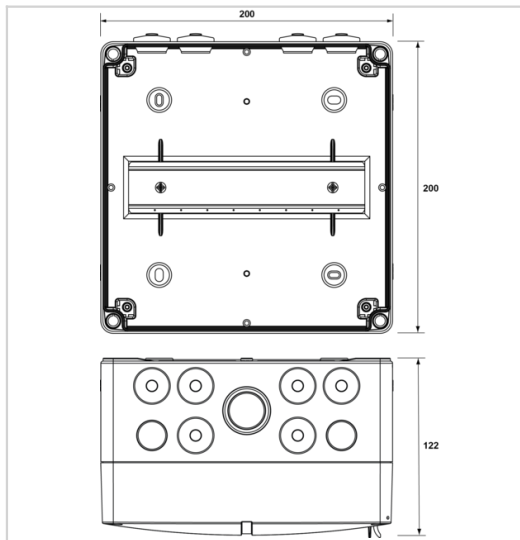




- ✦ Universal small housing for individual cable entry with consideration of practical cross-sections
- ✦ Internal terminal design allows spur or V-wiring (series)
- ✦ Suitable for TNS-TT mains types
- ✦ Integrated DAC15CS-31-275
- ✦ Compact type 3 SPD
- ✦ Discharge capacity per pole:  $I_n = 5\text{kA}$  (8/20 $\mu\text{s}$ );  $I_{max} = 15\text{kA}$  (8/20 $\mu\text{s}$ )
- ✦ Pluggable protection modules
- ✦ Remote signalling as standard



Electrical Characteristics		
SPD type	IEC	3
Nominal line voltage	$U_n$	230/400 Vac
Max. AC operating voltage	$U_c$	275 Vac
Max. load current if series connection	IL	bis 57 A (Verlegeart beachten)
Surge protection device		DAC15CS-31-275** (internally pre-wired)
Nominal frequency	$f_n$	50 Hz
Mechanical Characteristics		
Housing material		Thermoplastic UL94 V-0
Protection rating		IP65
Dimensions		See diagram - 3 TE (EN43880)
Entrance		Screw terminals max. 10mm <sup>2</sup> (re or rm)
Outgoing		Screw terminals max. 10mm <sup>2</sup> (re or rm)
Earth connection terminal		Screw terminal max. 10mm <sup>2</sup> (re or rm)
Ambient temperature		-25°C bis +40°C / 24h up to max. 35°C
Cable gland		Double diaphragm connector Cable glands M16 / M20 / M25
Humidity		Relative humidity (25°C) 5% to 95% / Max. relative air humidity (40°C) 50%.
Shock resistance		IK 08
Standards		
Standards compliance		IEC 61643-11
Part number		
159145		