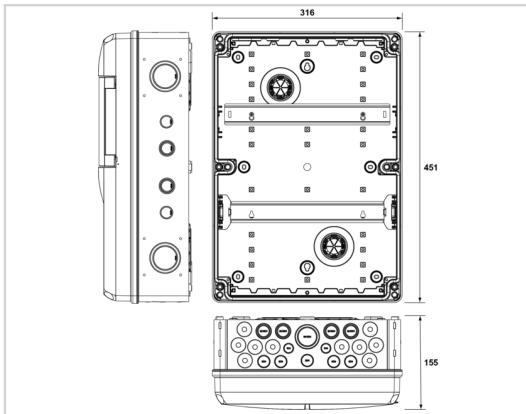




- ✦ Universal small housing for individual cable entry with consideration of practical cross-sections
- ✦ Internal terminal design allows spur or V-wiring (series)
- ✦ Suitable for TNS-TT mains types
- ✦ Integrated DACN1-25CVGS-31-275
- ✦ Type 1+2+3 combined arrester based on a gas-filled spark gap
- ✦ Discharge capacity per pole:  $I_{imp}=25kA (10/350\mu s)$ ;  $I_n=25kA (8/20\mu s)$ ;  $I_{max}=100kA (8/20\mu s)$
- ✦ Remote signalling as standard
- ✦ Can be used for lightning protection classes I to IV



Electrical Characteristics			
SPD type	IEC		1+2+3
Nominal line voltage	Un		230/400 Vac
Max. AC operating voltage	Uc		275 Vac
Max. load current if series connection	IL		bis 119 A (Verlegeart beachten)
Surge protection device			DACN1-25CVGS-31-275 (internally pre-wired)
Nominal frequency	fn		0-100 Hz
Mechanical Characteristics			
Housing material			Thermoplastic UL94 V-0
Protection rating			IP65
Dimensions			See diagram - 3 TE (EN43880)
Entrance			Screw terminals max. 35mm <sup>2</sup> (rm)
Outgoing			Screw terminals max. 35mm <sup>2</sup> (rm)
Earth connection terminal			Screw terminal max. 35mm <sup>2</sup> (rm)
Ambient temperature			-25°C bis +40°C / 24h up to max. 35°C
Cable gland			Double diaphragm connector Cable glands M20 / M25 / M32 / M40 / M50 / M63
Humidity			Relative humidity (25°C) 5% to 95% / Max. relative air humidity (40°C) 50%.
Shock resistance			IK 08
Standards			
Standards compliance			IEC 61643-11
Part number			
159148			