



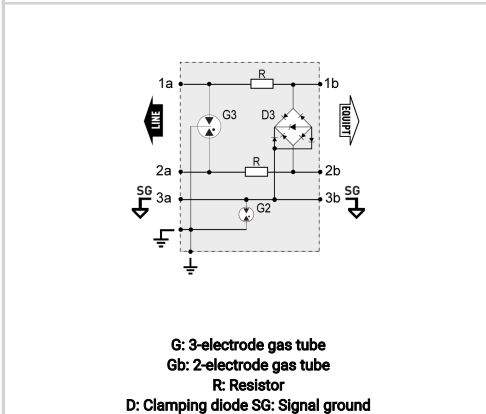
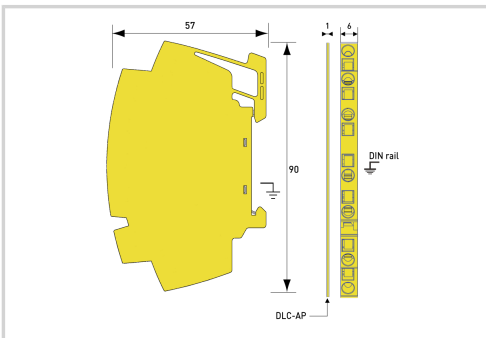
CITEL

1-pair monobloc Telecom surge protector

DLC-24D3G



- High speed data transmission
- Common mode and differential mode protection
- Data lines, including those isolated from Earth
- Compact DIN rail enclosure, high density protection
- Protection of shield wire
- Location and test categories: D1, C2, C3
- IEC 61643-21 compliance



Electrical Characteristics		
Network		4-20mA-PT100
Nominal line voltage	Un	24 V
Max. DC operating voltage	Uc	32 Vdc
Max. frequency	f max.	50 MHz
Cut-off frequency -3dB, 100 ohm system	f max.	> 100 MHz
Cut-off frequency -1dB, 100 ohm system	f max.	> 45 MHz
Insertion loss		< 1 dB
Max. load current @25°C	IL	750 mA
Max. discharge current max. withstand @ 8/20 μs by pole	Imax	20 kA
Nominal Discharge Current, X-C (Line/Earth) 8/20μs Test x 10 - C2 Category	In L/PE	10 kA
Line inductance (± 10 %)		non
Protection Level C3 (10/1000μs), 300 applications@10 A, Y-Y (Line/Line)	Up	60 V
Protection Level C3 (10/1000μs), 300 applications@10 A, X-C (Line/Earth)	Up	650 V
Impulse current 2 x 10/350μs Test - D1 Category	limp	2.0 kA
Line/Line Nominal discharge current C2 Category	In L/L	10 kA
Line resistance (± 10%)		1.2 Ohm
Mechanical Characteristics		
Technology		GDT+TVS diode
SPD configuration		1-pair+shielded
Connection to Network		By spring terminal - max. cross section 2.5mm ² / AWG 13 (solid or stranded)
Format		DIN box
Mounting		Symmetrical rail 35 mm (EN 60715)
Housing material		Thermoplastic UL94 V-0
Operating temperature	Tu	-40/+85°C
Ingress Protection rating		IP20 (NEMA 2)
Failsafe mode		Short-circuit
Disconnection indicator		Transmission interrupt - default mode 2
Dimensions		See diagram
Standards		
Standards compliance		IEC 61643-21 / EN 61643-21
Certification		
Part number		
641193		

