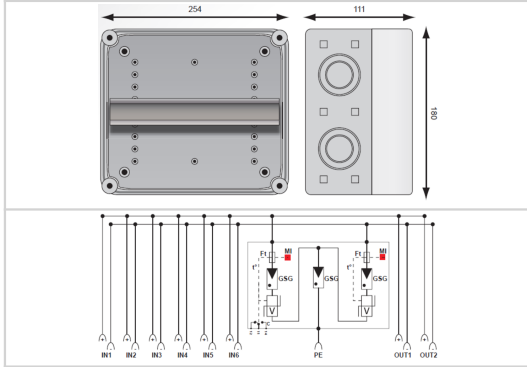


GAK1.K6x16.K2x16.61VG-1



- ✦ Generator junction box for 1 MPP tracker / 6 strings
- ✦ Integrated surge protection device - DS60VGPV-1000G/51 (Type 1+2)
- ✦ Protection class IP65
- ✦ Connection via spring terminals (6-16mm<sup>2</sup>)



Electrical Characteristics		
SPD type	IEC	1+2
Network		PV network 1000 Vdc
Nominal DC voltage	Un-dc	1000 Vdc
Max. PV operating voltage	Ucpv	1200 Vdc
Rated insulation voltage Ui	Ui	1000 Vdc
Rated current InA	InA	60 A
Rated string current	InC	40 A
Standards		
Standards compliance		DIN EN 50539-11 / DIN EN IEC 61439-2
Part number		
158103		