



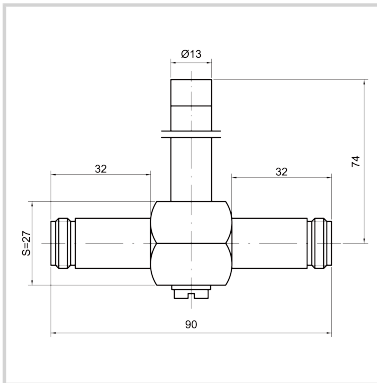
CITEL

'Quarter wave' coaxial protector

PRC900-N/FF



- › 'Quarter wave' coaxial protector type N
- › Frequency : 870-960 MHz
- › Low insertion loss
- › $I_{max} > 50 \text{ kA}$
- › Maintenance free
- › Bi-directional
- › IP65



Electrical Characteristics

Frequency range	f	870-960 MHz
Insertion loss		< 0.2 dB
Return loss		> 20 dB
Impedance		50 ohms
VSWR		<1.2:1
Max. load current @25°C	IL	10 A
Max. discharge current <i>max. withstand @ 8/20 µs by pole</i>	I_{max}	50 kA
Nominal discharge current <i>C2 Category</i>	I_n	25 kA
Protection mode(s)		Common mode
Protection level <i>@ I_n (8/20µs)</i>	Up	< 30 V
Impulse current <i>2 x 10/350µs Test - D1 Category</i>	I_{imp}	25 kA
Max Power @f max.		415 W
Max Power @f mini.		436 W
PIM 3rd order (2x20W)		< -160 dBc
DC Pass		No

Mechanical Characteristics

Technology		Quarter Wave
Connection to Network		Connector N Female/Female
Mounting		Connector
Housing material		Brass/Surface plating: Cu Zn Sn
Operating temperature	T_u	-40/+85°C
Protection rating		IP65
Failsafe mode		Without
Dimensions		See diagram
Contacts		Bronze/Surface Au-Ag

Standards

Standards compliance		IEC 61643-21 / EN 61643-21 / UL497E
RohS compliance		Yes

Part number

621124

