



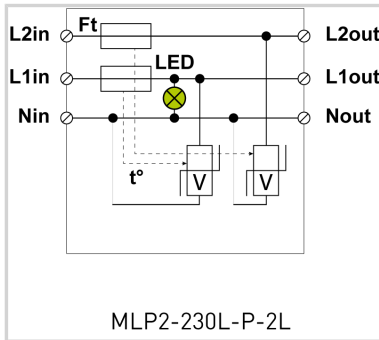
# CITEL

## MLP2-230L-P-2L



Specially developed spd with combined protection for 2-phase power supply (control phase):

- Many variants available depending on application
- With screw terminals or cable wiring
- IP65 versions
- For protection class I or II application
- Developed for Uoc: 10 kV and I<sub>max</sub>: 10 kA for highest outdoor requirements according to IEEE & ANSI
- Optical error signalling



Electrical Characteristics			
SPD type	IEC	2+3	
AC system		TT-TN	
Nominal line voltage	Un	230-277 Vac	
Max. AC operating voltage	Uc	305 Vac	
Max. frequency	f max.	10 MHz	
Max. load current @25°C	IL	2.5 A	
Temporary Over Voltage (TOV) Characteristics - 5 sec. Without disconnection	UT	335 Vac withstand	
Temporary Over Voltage (TOV) Characteristics - 120 mn Without disconnection or with safety disconnection	UT	440 Vac disconnection	
Residual Current Leakage current to Ground	I <sub>pe</sub>	None	
Follow current	I <sub>f</sub>	None	
Nominal discharge current 15 x 8/20 μs impulses	I <sub>n</sub>	5 kA	
Max. discharge current max. withstand @ 8/20 μs by pole	I <sub>max</sub>	10 kA	
Total Maximum discharge current max. total withstand @ 8/20 μs	I <sub>max</sub> Total	20 kA	
Withstand on Combination waveform IEC 61643-11 Class III test: 1.2/50μs - 8/20μs	Uoc	10 kV / 5 kA	
Withstand on overvoltages IEEE C62.41.1		10 kV / 10 kA	
Protection mode(s)		Common/Differential mode	
Protection level CM/DM @ I <sub>n</sub> (8/20μs)	U <sub>p mc /md</sub>	1.5/1.5 kV	
Admissible short-circuit current	I <sub>sc cr</sub>	10 000 A	
Mechanical Characteristics			
Mounting		Wall or plate	
Housing material		Thermoplastic UL94 V-0	
Operating temperature	T <sub>u</sub>	-40/+85°C	
Dimensions		See diagram	
Disconnectors			
Thermal disconnector		Internal	
Installation ground fault breaker		Type 'S' or delayed	
Standards			
Standards compliance		IEC 61643-11 / EN 61643-11 / UL1449 ed.5	
Part number			
<b>741212</b>			

