



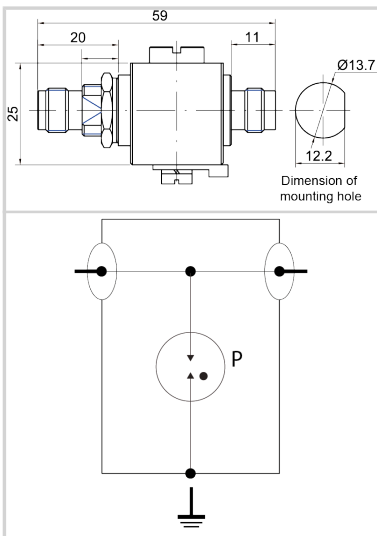
CITEL

Coaxial surge protector DC-7 GHz

P8AX09-6G-T/FF



- RF coaxial surge protector
- DC-7 GHz
- 25 W
- Connectors: TNC
- Low insertion loss
- Removal GDT
- DC-pass
- Bi-directional protection



Electrical Characteristics

Max. DC operating voltage	Uc	120 Vdc
Frequency range	f	DC-6 GHz
Insertion loss		0.3 dB
Return loss		> 18 dB
Impedance		50 ohms
VSWR		< 1.3:1
Max. load current @25°C	IL	10 A
Max. discharge current <i>max. withstand @ 8/20 µs by pole</i>	I _{max}	15 kA
Nominal discharge current <i>C2 Category</i>	I _n	5 kA
Protection mode(s)		Common mode
Protection level <i>@ I_n (8/20µs)</i>	U _p	< 1100 V
Impulse current <i>2 x 10/350µs Test - D1 Category</i>	I _{imp}	1 kA
Max Power		25 W
Typical let through energy <i>(50 ohms) input 4kV 1.2/50µs - 2kA 8/20µs</i>		2.2 mJ
DC Pass		Yes
Insulation resistance	IR	≥10 GOhms

Mechanical Characteristics

Technology		Gas discharge tube
Connection to Network		Connector TNC Female/Female
Mounting		Feedthrough
Housing material		Brass/Surface plating: Cu Zn Sn
Operating temperature	Tu	-40/+85°C
Protection rating		IP65
Failsafe mode		Short-circuit
Disconnection indicator		Transmission interrupt
Spare module(s)		1 x BA HF
Dimensions		See diagram
Contacts		Bronze/Surface Au-Ag

Standards

Standards compliance		IEC 61643-21 / EN 61643-21 / UL497E
Environmental standards		EU RoHS
RohS compliance		Yes

Part number

68311

