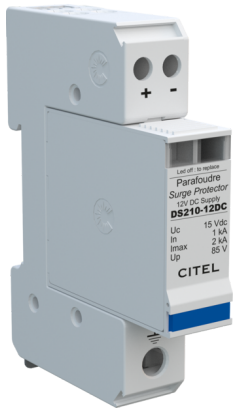




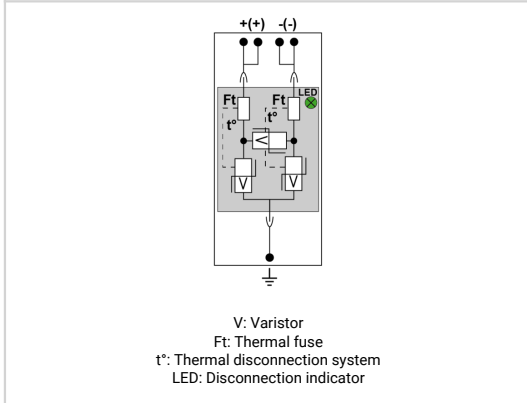
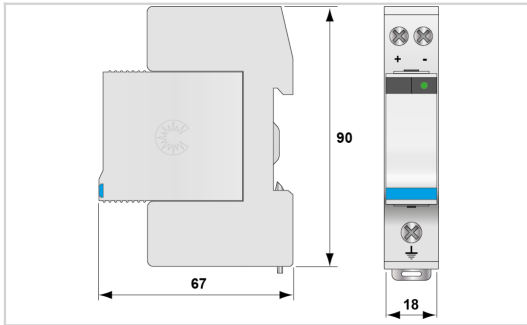
CITEL

DC power surge protector - 12 Vdc

DS210-12DC



- ☛ Surge protector for DC supplies
- ☛ 12 Vdc
- ☛ I_{max} : 2 kA
- ☛ Pluggable module
- ☛ Operating indicator
- ☛ IEC 61643-11, EN 61643-11 and UL1449 ed.5 compliance



Electrical Characteristics			
SPD type	IEC		2 (or 3)
Network			DC network 12 Vdc
Nominal DC voltage	Un-dc		12 Vdc
Max. AC operating voltage	Uc		10 Vac
Max. DC operating voltage	Uc		15 Vdc
Max. load current @25°C	IL		20 A
Residual Current	I _{pe}		< 0.2 mA
Leakage current to Ground			
PV Permanent Operating current	I _{cpv}		< 0.1 mA
Current consumption at U _{cpv}			
Follow current	I _f		None
Nominal discharge current	I _n		1 kA
15 x 8/20 μs impulses			
Max. discharge current	I _{max}		2 kA
max. withstand @ 8/20 μs by pole			
Total Maximum discharge current	I _{max Total}		2 kA
max. total withstand @ 8/20 μs			
Current withstand short circuit PV	I _{scpv}		1000 A
Connection mode(s)			+/-/PE
Protection mode(s)			Common/Differential mode
Protection level +/-PE (-/PE) @ I _n (8/20μs)	U _p		85 V
Mechanical Characteristics			
Technology			MOV
SPD configuration			2-poles
Connection to Network			By screw terminals: 1.5-10mm ² (actives wires) and 2.5-25mm ² (ground)
Format			Plug-in modular box
Mounting			Symmetrical rail 35 mm (EN 60715)
Housing material			Thermoplastic UL94 V-0
Operating temperature	T _u		-40/+85°C
Protection rating			IP20
Failsafe mode			Disconnection from DC network
Disconnection indicator			Green LED(s) OFF
Spare module(s)			DSM210-12DC
Dimensions			See diagram
Weight			0.092 kg
Disconnectors			
Thermal disconnector			Internal
Back-up protection device			Fuses type gG - 10 A
Standards			
Standards compliance			IEC 61643-11 / EN 61643-11 / UL1449 ed.5
Part number			
440201			

